

TV Stand/ Soporte para Televisor con Bocinas Activas

Instructions _____ **US**

Mode d'emploi _____ **FR**


Instrucciones _____ **ES**

Instruções _____ **PT**

Lea este manual antes de usar el producto

SU-B401S

Important Safety Instructions

- 1) Read these instructions.
- 2) Keep these instructions.
- 3) Heed all warnings.
- 4) Follow all instructions.
- 5) Do not use this apparatus near water.
- 6) Clean only with dry cloth.
- 7) Do not block any ventilation openings. Install in accordance with the manufacturer's instructions.
- 8) Do not install near any heat sources such as radiators, heat registers, stoves, or other apparatus (including amplifiers) that produce heat.
- 9) Do not defeat the safety purpose of the polarized or grounding-type plug. A polarized plug has two blades with one wider than the other. A grounding type plug has two blades and a third grounding prong. The wide blade or the third prong are provided for your safety. If the provided plug does not fit into your outlet, consult an electrician for replacement of the obsolete outlet.
- 10) Protect the power cord from being walked on or pinched particularly at plugs, convenience receptacles, and the point where they exit from the apparatus.
- 11) Only use attachments/accessories specified by the manufacturer.
- 12) Use only with the cart, stand, tripod, bracket, or table specified by the manufacturer, or sold with the apparatus. When a cart is used, use caution when moving the cart/apparatus combination to avoid injury from tip-over. 
- 13) Unplug this apparatus during lightning storms or when unused for long periods of time.
- 14) Refer all servicing to qualified service personnel. Servicing is required when the apparatus has been damaged in any way, such as power-supply cord or plug is damaged, liquid has been spilled or objects have fallen into the apparatus, the apparatus has been exposed to rain or moisture, does not operate normally, or has been dropped.

Please observe the Additional Safety DOs and DON'Ts to avoid electrical shock, short-circuit, fire, bodily injury or property damage.

Owner's Record

The model and serial numbers are located at the rear of the TV Stand. Record these numbers in the spaces provided below.

Refer to them whenever you call upon your Sony dealer regarding this TV Stand.

Model Name

Serial No.

For Customers in Canada

This Class B digital apparatus complies with Canadian ICES-003.

FCC Related Information

This equipment has been tested and found to comply with the limits for a Class B digital device, pursuant to Part 15 of the FCC Rules. These limits are designed to provide reasonable protection against harmful interference in a residential installation. This equipment generates, uses, and can radiate radio frequency energy and, if not installed and used in accordance with the instructions, may cause harmful interference to radio communications. However, there is no guarantee that interference will not occur in a particular installation. If this equipment does cause harmful interference to radio or television reception, which can be determined by turning the equipment off and on, the user is encouraged to try to correct the interference by one or more of the following measures:

- Reorient or relocate the receiving antenna.
- Increase the separation between the equipment and receiver.
- Connect the equipment into an outlet on a circuit different from that to which the receiver is connected.
- Consult the dealer or an experienced radio/TV technician for help.

Pursuant to FCC regulations, you are cautioned that any changes or modifications not expressly approved in this manual could void your authority to operate this equipment.

On Safety

Thank you for purchasing this product. Products by Sony are designed with safety in mind. Incorrect use may result in a serious injury through fire, electric shock, the product toppling over, or the product being dropped. Be sure to observe the precautions for safety to prevent such accidents.

This instructions manual shows the correct handling of the product and important precautions necessary to prevent accidents. Be sure to read this manual thoroughly and use the

product correctly. Keep this manual available for future reference.

CAUTION

Specified products

This stand is designed for use with the Sony products specified below. Do not install other than the specified products.

The following products are subject to change without notice, may be out of stock, or discontinued.

Also, certain models are sold in some regions.

	LCD color TV
SU-B401S	KDL-40NX72x

* In the actual model names, the “x” indicates numbers and/or characters specific to each model.

Location of the identification label

Label for Model No. is located on the rear of the TV Stand.

WARNING

To reduce the risk of fire or electric shock, do not expose this APPARATUS to rain or moisture.

The APPARATUS must never be exposed to dripping, splashing, or spilling liquids of any kind.



This symbol is intended to alert the user to the presence of uninsulated “dangerous voltage” within the APPARATUS’s enclosure that may be of sufficient magnitude to constitute a risk of electric shock to persons.



This symbol is intended to alert the user to the presence of important operating and maintenance (servicing) instructions in the literature accompanying the APPARATUS.

NOTE ON AC adapter

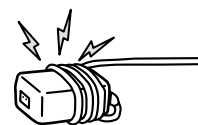
Warning

To reduce the risk of fire or electric shock, do not expose this apparatus to rain or moisture.

To prevent fire or shock hazard, do not place objects filled with liquids, such as vases, on the apparatus.

Do not install this equipment in a confined space, such as a bookshelf or similar unit.

- Please ensure that the AC power outlet is installed near the equipment and shall be easily accessible.
- Be sure to use the supplied AC adapter and AC power cords.
- Do not use any other AC adapter. It may cause a malfunction.
- Connect the AC adapter to an easily accessible AC power outlet.
- Do not coil the AC power cord around the AC adapter. The core wire may be cut and/or it may cause a malfunction of the TV.
- Do not touch the AC adapter with wet hands.
- If you notice an abnormality in the AC adapter, disconnect it from the AC power outlet immediately.
- The set is not disconnected from the AC source as long as it is connected to the AC power outlet, even if the set itself has been turned off.



WARNING

If the following precautions are not observed, serious injury or death can result through fire, electric shock, or the product toppling over.

Be sure to take measures to prevent the TV Stand from toppling over.

If you fail to do so, the TV may topple over and cause injury. Anchor the TV Stand and the rack, etc., to prevent toppling over.

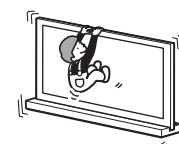
Be sure to install the TV Stand on a stable surface.

If you install the TV Stand on an unstable surface, it may lose its balance and topple over or fall off. This may cause injury or property damage.



Do not lean on or hang from the TV with the TV installed on the TV Stand.

The TV Stand may topple over, or the TV may fall and cause serious injury or death.

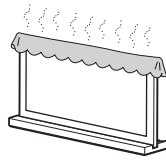


(Continued)

Do not cover the ventilation holes of the TV.

The ventilation openings in the TV are necessary to ensure reliable operation of the TV and to protect it from overheating.

- Do not block or cover the ventilation openings with cloth or other materials.
- Never allow liquid or solid objects to fall into the ventilation openings.



Do not place liquid filled objects such as a vase or potted plant on the APPARATUS.

Do not use a power line operated TV set near water; for example, near a bathtub, washbowl, kitchen sink, laundry tub, wet basement or near a swimming pool, etc.

Do not install the TV in places subject to extreme temperature, such as in direct sunlight, near a radiator or a heating vent.

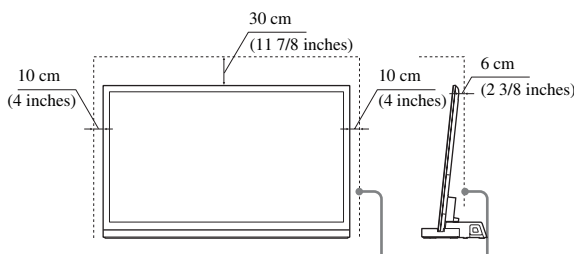
The TV may overheat in such conditions which can cause deformation of the enclosure and/or TV malfunction.

Do not install the TV in a place exposed to direct air conditioning.

Moisture may condense inside and may cause TV malfunction.

Allow adequate space around the TV set to ensure proper air circulation.

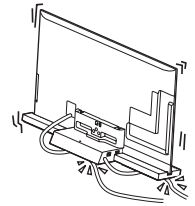
Allow enough space around the TV as shown below.



Leave at least this much space around the set.

AC power cord

- Do not allow the AC power cord or the connecting cable to be pinched when you install the TV on the TV Stand. If the AC power cord or the connecting cable is damaged, this may result in fire or electric shock.
- Do not step on the AC power cord or the connecting cable when you carry the TV Stand. The AC power cord or the connecting cable may be damaged, and this may result in fire or electric shock.
- If you stumble over the AC power cord or the connecting cable, the TV Stand may topple over and cause injury.
- Unplugging the AC power cord from the wall outlet will completely remove power from the TV Stand.



CAUTION

If the following precautions are not observed, injury or property damage may occur.

Do not install any equipment other than the specified product.

This TV Stand is designed for use with the specified product only. If you install equipment other than specified, it may fall or break, and cause injury. Illustrations used in this manual show of the KDL-40NX72x, unless otherwise stated.

Be sure to secure the TV.

Secure the TV to the TV Stand using the supplied screws. If the TV is not installed securely, it may fall, or the TV Stand may topple over, and cause injury.

Notes on installation

Do not allow the TV Stand to be installed at an angle or incline. To avoid this, observe the following precautions.

- If you install the TV Stand on a soft surface such as a mat or a carpet, lay a board over the designated location beforehand.
- Do not install the TV Stand in a place subject to direct sunlight or near a heater.
- Do not install the TV Stand in a hot or humid place, or outdoors.

Note on use

Cleaning

To keep the TV Stand clean, occasionally wipe it with a dry soft cloth. Stubborn stains may be removed by wiping with a cloth slightly dampened with mild soap. Be sure to dry the area afterwards with a dry soft cloth. Do not use chemicals, such as thinner or benzine, as they damage the finish of the TV Stand.

Be sure that two or more persons do the installation work.

Be sure that two or more persons install the TV on the TV Stand. If one person does the installation work alone, this may result in an accident or injury.

Do not modify the TV Stand.

It may fall and cause injury.

Be sure to install the TV securely following the instructions.

Tighten the screws securely. If the TV is not installed securely, it may fall and cause injury.

Be careful not to injure your hands or fingers while assembling.

- Do not move the TV Stand with holding the Neck section.
- Be careful not to hurt your fingers or hands when installing the TV.

PRECAUTIONS

On power sources

- If you are not going to use the TV Stand for a long time, be sure to disconnect the TV Stand from the wall outlet. To disconnect the AC power cord, grasp the plug itself; never pull the cord.
- AC power cord must be changed only at the qualified service shop.

On operation

Before connecting other components, be sure to turn off and unplug the TV Stand.

Copyrights

This TV Stand incorporates Dolby* Digital and Pro Logic Surround and the DTS** Digital Surround System.

* Manufactured under license from Dolby Laboratories.

Dolby, Pro Logic, and the double-D symbol are trademarks of Dolby Laboratories.

** Manufactured under license under U.S. Patent #'s:

5,451,942; 5,956,674; 5,974,380; 5,978,762; 6,487,535 & other U.S. and worldwide patents issued & pending. DTS and the Symbol are registered trademarks & DTS Digital Surround and the DTS logos are trademarks of DTS, Inc. Product includes software. © DTS, Inc. All Rights Reserved.

This TV Stand incorporates High-Definition Multimedia Interface (HDMI™) technology.

HDMI, the HDMI Logo, and High-Definition Multimedia Interface are trademarks or registered trademarks of HDMI Licensing LLC in the United States and other countries.

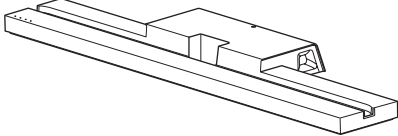
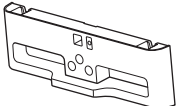
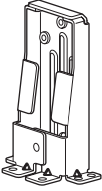
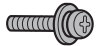

“BRAVIA” is a trademark of Sony Corporation.



Note on taking the TV Stand out from the carton

Be sure to hold the TV Stand and handle it carefully.

Step 1: Checking the parts

Name	Quantity
Stand 	1
Joint 	1
Neck 	1
TV Stand Neck Attachment Screw (PSW5 × 16) (× 3) Joint Screw (PSW5 × 16) (× 3) 	6
Neck Screw (PSW4 × 12) 	4
AC adapter (ACDP-001)	1
AC power cord	
High Speed HDMI cable	1
Instructions manual	1
Warranty card	

WARNING

If you allow the AC power cord to be pinched under or between pieces of equipment, this may result in a short circuit or an electric shock. If you stumble over the AC power cord or the connecting cable, the TV Stand may topple over and cause injury.

Decide on the installation location and lay the TV Stand down before installing the TV.

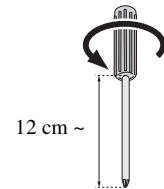
Since the TV is heavy, it is recommended that you decide on the installation location beforehand, and assemble the TV Stand on site.

Refer to the operating instructions supplied with your TV for information on how to remove the Table-Top Stand from the TV.

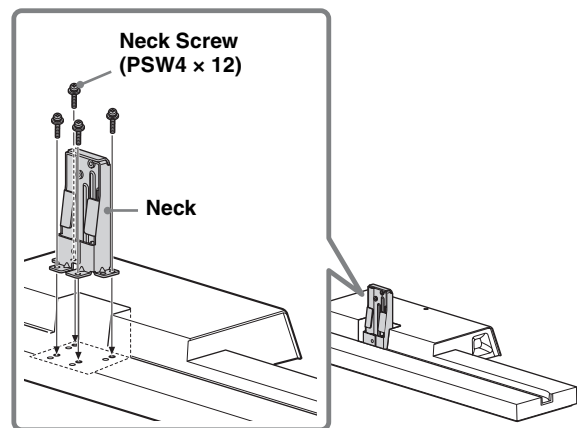
Step 2: Installing the TV

Before assembling

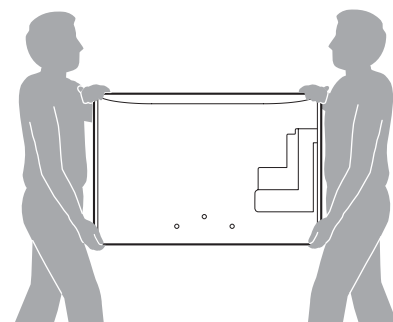
- Be sure to have a Phillips screwdriver that fits the screws prior to the assembly.
- When using an electric screwdriver, set the torque setting to approximately 1.5 N·m {15 kgf·cm}.



1 Attach the Neck to the TV Stand with the four Neck Screws (PSW4 × 12) (supplied).

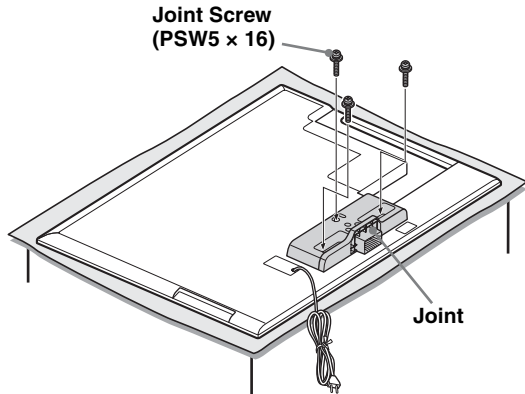


2 When moving the TV, hold the TV as shown below.



3 Attach the supplied Joint to the rear of the TV with the three screws (PSW5 × 16) (supplied).

Slide the supplied Joint up to attach.



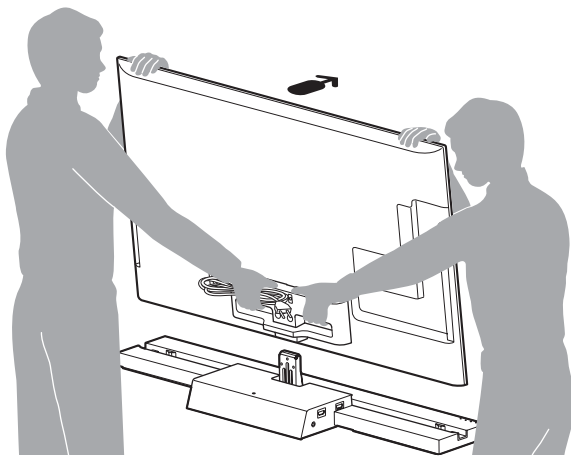
- Make sure to keep the removed screws.
- When removing the Table-Top Stand from the Display, lay the display face down on a stable work surface that is larger than the Display.
- To prevent damaging the surface of the LCD display, make sure to place a soft cloth on the work surface.

CAUTION

- If pressure or shock is applied to the surface of the Display, the LCD display may break or become damaged.
- Lay the display face down on a stable and level surface with the Table-Top Stand hanging over the edge of the surface.
Having the display face and the base of the Table-Top Stand on the same level surface will create an unstable working condition and can damage the Display.

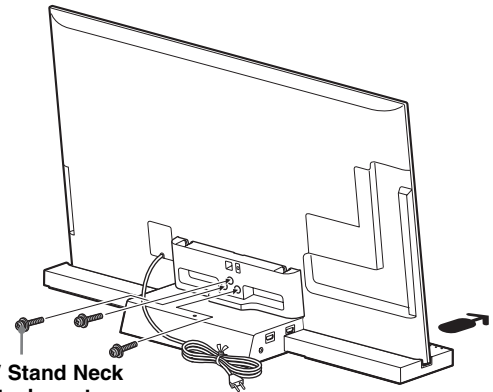
4 Install the TV onto the TV Stand.

The TV is installed by placing it in the groove of the TV Stand.



← Arrow direction shows front of the TV Stand.

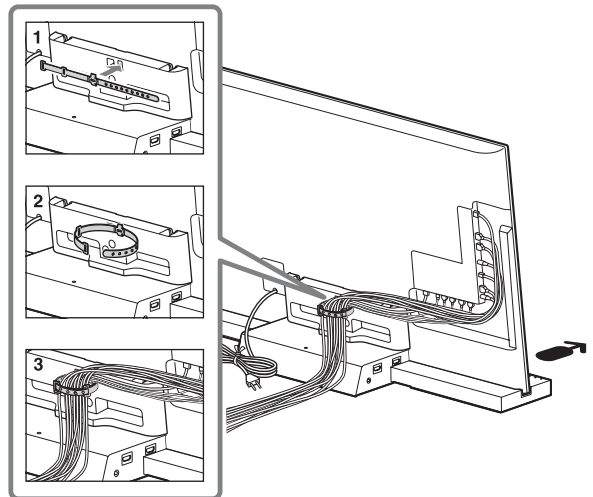
5 Secure the TV and the TV Stand with the three TV Stand Neck Attachment Screws (PSW5 × 16) (supplied).



TV Stand Neck Attachment Screw (PSW5 × 16)

6 Bundling the cables.

Use the cable clumper supplied with the TV.



- Do not bundle the AC power cord together with other cables.

Step 3: Safety measures to prevent toppling over

WARNING

Be sure to take measures to prevent the TV Stand from toppling over, and causing possible injury and damage.

Securing the TV and the TV Stand



Sony strongly recommends taking measures to prevent the TV from toppling over. Unsecured TVs may topple and result in property damage, serious bodily injury or even death.

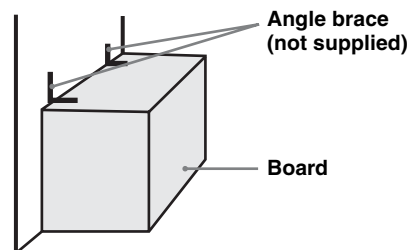
Preventing the TV and the TV Stand from toppling

- Secure the TV to a wall and/or board.
- Do not allow children to play or climb on furniture and TV sets.
- Avoid placing or hanging items on the TV.
- Never install the TV on:
 - slippery, unstable and/or uneven surfaces.
 - furniture that can easily be used as steps, such as a chest of drawers.
- Install the TV where it cannot be pulled, pushed, or knocked over.
- Route all AC power cords and connecting cables so that they are not accessible to curious children.

Recommended measures to secure the TV and the TV Stand

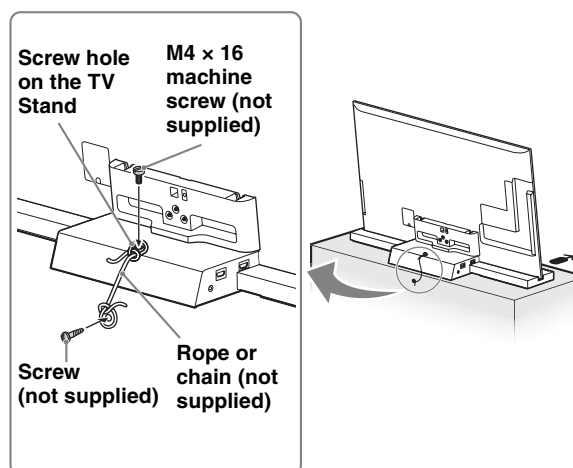
Consider the following measures when securing your TV to a board (not supplied).

- 1 Secure the board for the TV.
Make sure the board can adequately support the weight of the TV. Use two angle braces (not supplied) to secure the board. For each angle brace use the appropriate hardware to:
 - Attach one side of the angle brace to the wall stud.
 - Attach the other side to the board.



- 2 Secure the TV to the board.
Use the optional hardware listed below (not supplied):
 - M4 × 16 machine screw (screwed into the TV Stand)
 - A screw or similar (attach it to the board)
 - Rope or chain (strong enough to support the weight of the TV). Make sure that there is no excess slack in the rope or chain.

An alternative way to secure the TV is with an optional Sony Support Belt Kit.



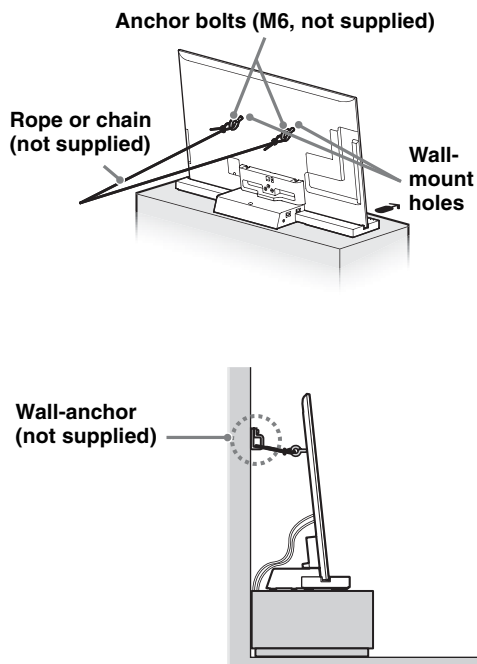
Contact Sony Customer Support to obtain the optional Support Belt Kit by providing your TV Stand model name (SU-B401S).

- For United States call: 1-800-488-7669 or visit: www.sony.com/accessories
- For Canada call: 1-877-899-7669

- ③ Anchor the TV to the Wall.
Anchor the TV to the wall by using bolts, wall anchor and chain (or rope).



- TV SET is shipped with screws attached to the rear of the TV. (They are fastened in the screw holes for wall mounting.) Be sure to remove the upper two screws prior to anchoring the TV on a wall.
- Securing the TV to the board without securing the TV and the board to the wall provides minimum protection against the TV toppling over. For further protection, be sure to follow the three measures recommended.

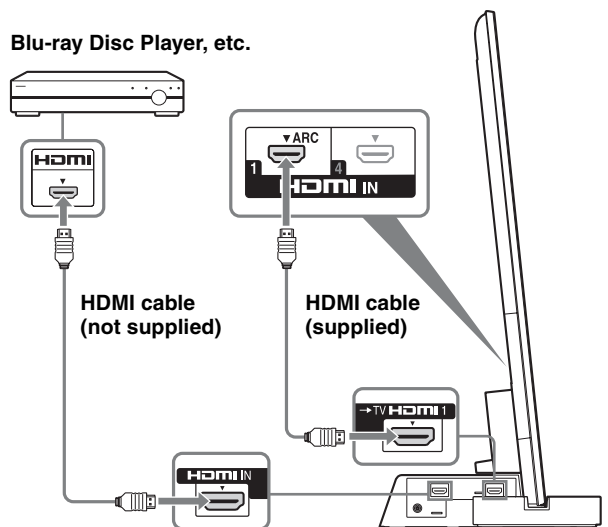


Step 4: Connecting the TV and Player

Connect the TV with an HDMI IN 1 to the TV Stand using an HDMI cable.

By connecting Sony “BRAVIA” Sync-compatible components using HDMI cables, operation can be simplified when you set the Control for HDMI function for the TV.

Blu-ray Disc Player, etc.



- Please do not connect PC with HDMI.
- The TV Stand is compatible with the Audio Return Channel (ARC) function. If you connect the TV Stand to the ARC compatible TV's HDMI IN 1 via an HDMI cable, you do not need to connect the TV to the TV Stand with the digital optical cord.
- You can see the letters “ARC” beside the TV's HDMI jack if it is compatible with the ARC function. Even if you connect an HDMI cable to the jack, if the HDMI input jack is not compatible with the ARC function, you cannot use the ARC function.
- The ARC function is available only when Control for HDMI is set to on.



- Even if the TV Stand is turned off (active standby mode), the HDMI signal will be sent from the connected component to the TV via the HDMI connection. You can enjoy image and sound from the component on the TV.

Notes on HDMI connections

- Use a High Speed HDMI cable. If you use a Standard HDMI cable, 1080p, Deep Color, or 3D images may not be displayed properly.
- We recommend that you use an HDMI-authorized cable.

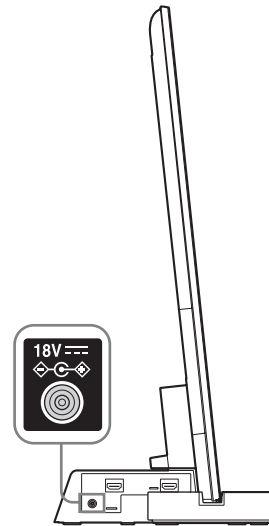
(Continued)

9 (US)

- Check the setup of the connected component if an image is poor or the sound does not come out of a component connected via the HDMI cable.
- Audio signals (sampling frequency, bit length, etc.) transmitted from an HDMI jack may be suppressed by the connected component.
- Sound may be interrupted when the sampling frequency or the number of channels of audio output signals from the playback component is switched.
- When the connected component is not compatible with copyright protection technology (HDCP), the image and/or the sound from the HDMI TV OUT jack may be distorted or may not be output.
In this case, check the specification of the connected component.
- We do not recommend using an HDMI-DVI conversion cable.
- This system supports Deep Color, “x.v.Color,” and 3D transmission.

Step 5: Connecting the AC power cord

Connect all components and TV to the TV Stand before connecting the AC power cord of the TV Stand's AC Adapter to a wall outlet.



- Connect the TV Stand to an easily accessible AC outlet. Should you notice an abnormality in the TV Stand, disconnect the main plug from the AC outlet immediately.

Step 6: Performing the TV settings

❶ Set to “On” in the “Control for HDMI” function.

Press the HOME button of the remote control of the TV and select the menu as follows;

Settings > External Inputs > HDMI Set-up > Control for HDMI > On

❷ Set to “Audio System” in “Speakers” menu.

Press the SYNC MENU button of the remote control of the TV and select the menu as follows;
Speakers > Audio System



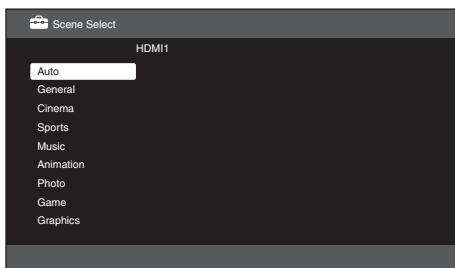
After completing the settings for procedure ❶ and ❷, the I (power) indicator lights up in green.



• Scene Select mode

This TV Stand is synchronized with the TV sound settings automatically, and works together with the Scene Select function, for you to choose your preferred sound for the selected scene.

To change the sound, change the TV sound settings.



• Position Control

If you set “External Device Control” to “On” of the TV, this TV Stand adjusts the volume balance between the left and right speakers according to viewing position. (Setting of the TV)

To set “Position Control”, press the HOME button, then select Settings > Preferences > Position Control > the desired option.

Troubleshooting

Sound

No sound:

- Check the HDMI cable connection.
- Check the settings for “Control for HDMI” and “Audio System” in Step 6 (page 11).

Using with headphones:

- Switch “Audio System” to “TV Speakers” in the “Speakers” setting.

Using with external equipment for dual sound:

- If the sound cannot be switched, switch the audio output setting of the external equipment to activate PCM.

Indicator

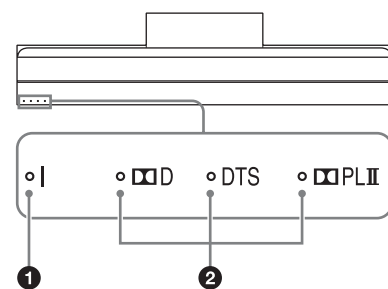
Although the TV power is turned on, the I (power) indicator of the TV Stand does not light up:

- Check whether the AC adapter’s AC power cord is plugged into a wall outlet.
- Consult customer support services.

Flash I (power) indicator red:

- A malfunction may have occurred with this product. Check how many times the LED flashes, and consult Sony service center.

Indicator



❶ I (power) indicator

Lights as follows:

Green: The TV Stand is power on. (“Audio System” is set for “Speakers.”)

Off: The TV Stand is standby or power off.

❷ Audio format indicators

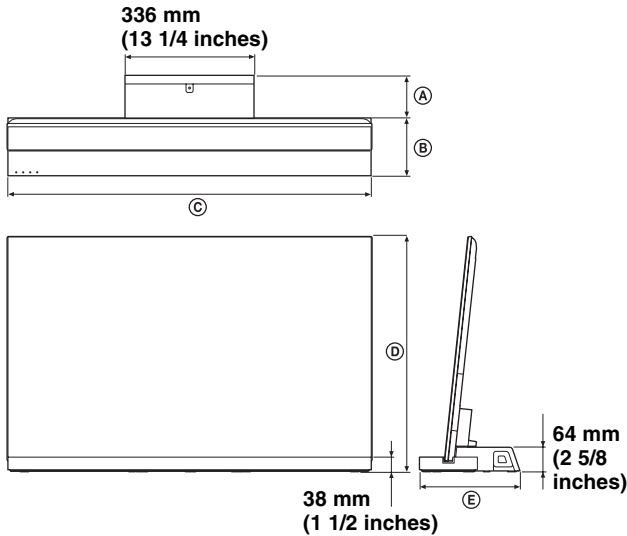
Light up according to the audio format that is being input to the TV Stand.

D: Dolby Digital

DTS

PLII: Dolby Pro Logic II

Specifications



		SU-B401S
Dimensions: mm (inches)	Ⓐ	110 (4 3/8)
	Ⓑ	151 (6)
	Ⓒ	944 (37 1/4)
	Ⓓ	612 (24 1/8)
	Ⓔ	261 (10 3/8)
Stand Weight:		4.9 kg (10.8 lb)

Amplifier section

Rated Output Power Front: 10 W + 10 W, (per channel)
8 ohms, 1 kHz, THD less than 1%
Subwoofer: 20 W, 6 ohms, 100 Hz,
THD less than 1%

HDMI section

Connector HDMI™ Connector
Video inputs/outputs 720 × 480p (60Hz) 16:9
1280 × 720p (60Hz) 16:9
1920 × 1080i (60Hz) 16:9
1280 × 720p (50Hz) 16:9
720 (1440) × 480i (60Hz) 4:3
720 (1440) × 480i (60Hz) 16:9
720 (1440) × 576i (50Hz) 4:3
720 (1440) × 576i (50Hz) 16:9
1920 × 1080p (60Hz) 16:9
720 × 576p (50Hz) 16:9
1920 × 1080i (50Hz) 16:9
1920 × 1080p (50Hz) 16:9
1920 × 1080p (24Hz) 16:9
1920 × 1080p (30Hz) 16:9

Video inputs/
outputs (3D)

1280 × 720p (24Hz) 16:9
1280 × 720p (30Hz) 16:9
Deep Color: 30bit/36bit
1280 × 720p@59.94/60 Hz
Frame packing
1920 × 1080i@59.94/60 Hz
Frame packing
1920 × 1080i@59.94/60 Hz
Side-by-Side (Half)
1920 × 1080p@59.94/60 Hz
Side-by-Side (Half)
1280 × 720p@50 Hz
Frame packing
1920 × 1080i@50 Hz
Frame packing
1920 × 1080i@50 Hz
Side-by-Side (Half)
1920 × 1080p@50 Hz
Side-by-Side (Half)
1920 × 1080p@24 Hz
Frame packing

Audio inputs

Deep Color: 30bit/36bit
Linear PCM 2ch/5.1ch/7.1ch
Dolby Digital
DTS
Each signal is compliant with 32, 44.1,
48 kHz.

Speakers

Front speaker unit

Speaker system 2-way 2-driver, Bass reflex type
Speaker unit Woofer: 30 × 100 mm cone type ×1
Tweeter: 30 mm cone type

Subwoofer unit

Speaker system Subwoofer, Bass reflex type
Speaker unit 70 mm cone type


General

Power requirements 100 – 240 V, 50/60 Hz
Power consumption
On: 12 W
Standby: 0.7 W

- Standby power consumption: 0.7 W
- Halogenated flame retardants are not used in the certain printed wiring boards.
- Over 85% power efficiency of amplifier block is achieved with the full digital amplifier, S-Master.

Design and specifications are subject to change without notice.

Consignes de sécurité importantes

- 1) Lisez les directives suivantes.
- 2) Conservez ces directives.
- 3) Observez et respectez tous les avertissements.
- 4) Suivez toutes les directives.
- 5) N'utilisez pas cet appareil près de l'eau.
- 6) Nettoyez cet appareil uniquement avec un chiffon sec.
- 7) Ne bouchez pas les fentes de ventilation. Respectez les directives du fabricant pour l'installation de l'appareil.
- 8) N'installez pas l'appareil à proximité d'une source de chaleur telle qu'un radiateur, une bouche d'air chaud, une cuisinière ou tout autre appareil (y compris des amplificateurs) émettant de la chaleur.
- 9) Ne désactivez pas le dispositif de sécurité appliqué à la fiche polarisée ou à la fiche avec mise à la terre. Une fiche polarisée est équipée de deux lames dont l'une est plus large que l'autre. Une fiche avec mise à la terre est équipée de deux lames et une broche destinée à la mise à la terre. La lame la plus large et la troisième broche sont des dispositifs de sécurité. Si vous ne réussissez pas à brancher la fiche fournie dans la prise de courant, consultez un électricien et faites remplacer la prise par une neuve.
- 10) Ne placez pas le cordon d'alimentation dans des endroits passants et assurez-vous qu'il ne peut pas être pincé, surtout au niveau des fiches, de la prise de courant et à l'endroit où il sort de l'appareil.
- 11) Utilisez uniquement les éléments de raccordement et les accessoires recommandés par le fabricant.
- 12) Utilisez l'appareil uniquement avec le chariot, le trépied, le support ou la table recommandés par le fabricant ou achetés avec l'appareil.  Lorsque vous utilisez un chariot, prenez des précautions en déplaçant le chariot et l'appareil afin de ne pas les renverser, ce qui pourrait entraîner des blessures.
- 13) Débranchez cet appareil en cas d'orage ou lorsque vous ne l'utilisez pas pendant de longues périodes.
- 14) Pour toute réparation, adressez-vous à un réparateur qualifié. Faites réparer l'appareil s'il a été endommagé de quelque manière que ce soit, par exemple si le cordon d'alimentation ou sa fiche sont endommagés, si du liquide ou tout autre corps étranger a pénétré dans l'appareil, si l'appareil a été exposé à la pluie ou à l'humidité, s'il ne fonctionne pas normalement ou s'il est tombé.

Veillez respecter les consignes de sécurité supplémentaires pour éviter les risques d'électrocution, de court-circuit, d'incendie, de blessure et de dommages à la propriété.

Fiche d'identification

Les numéros de modèle et de série sont indiqués à l'arrière du téléviseur. Inscrivez ces numéros dans les espaces ci-dessous.

Faites-y référence chaque fois que vous appelez votre détaillant Sony au sujet de ce support TV.

N° de modèle

N° de série

Pour les clients résidant au Canada

Cet appareil numérique de la classe B est conforme à la norme NMB-003 du Canada.

AVIS

Cet appareil a été soumis à l'essai et s'est avéré conforme aux limites pour un appareil numérique de classe B, conformément à la section 15 des règlements de la FCC. Ces normes sont conçues pour assurer une protection raisonnable contre les interférences nuisibles dans un environnement résidentiel. Cet appareil génère, utilise et peut émettre de l'énergie radioélectrique et, s'il n'est pas installé ou utilisé selon les directives, peut causer des interférences nuisibles aux communications radio. Cependant, il n'existe aucune garantie que des interférences ne se produiront pas dans une installation particulière. Si ce matériel est source d'interférences nuisibles pour la réception radio ou télévisée, ce qui peut être déterminé en mettant l'appareil hors tension, puis sous tension, il est recommandé de tenter d'éliminer ces interférences en appliquant l'une ou plusieurs des mesures suivantes :

- Réorienter ou déplacer l'antenne réceptrice.
- Éloigner l'appareil du récepteur.
- Brancher l'appareil dans une prise d'un circuit différent de celui qui alimente le récepteur.
- Consulter le détaillant ou un technicien radio ou télévision qualifié pour obtenir de l'aide.

Conformément aux règlements de la FCC, vous êtes averti que tous les changements ou modifications non expressément approuvés dans ce manuel pourraient annuler tous vos droits relatifs à l'utilisation de ce produit.

Sécurité

Merci d'avoir acheté ce produit.

Les produits fabriqués par Sony sont conçus pour être sécuritaires. Un mauvais usage peut provoquer des blessures graves suite à un incendie, une électrocution, un basculement ou une chute du produit. Assurez-vous d'observer les mesures de sécurité afin d'éviter de tels accidents.

Le présent manuel d'instruction illustre la façon correcte de manipuler ce produit ainsi que les mesures à prendre nécessaires en vue d'éviter les accidents. Lisez attentivement ce manuel et utilisez le produit correctement. Conservez ce manuel pour le consulter dans l'avenir.

ATTENTION

Produits

Ce support est conçu pour être utilisé avec les produits Sony mentionnés ci-dessous. N'y installez pas d'autres produits que ceux mentionnés.

Les produits suivants sont sujets à changement sans préavis, peuvent être épuisés ou abandonnés.

Certains modèles sont aussi vendus dans certaines régions.

	Téléviseur couleur LCD
SU-B401S	KDL-40NX72x

* Dans les noms de modèle actuels, le « x » indique les chiffres et/ou caractères spécifiques à chaque modèle.

Emplacement de l'étiquette d'identification

L'étiquette du n° de modèle est située à l'arrière du support TV.

AVERTISSEMENT

Afin de réduire les risques d'incendie et d'électrocution, n'exposez pas cet appareil à la pluie ou à l'humidité.

L'appareil ne doit jamais être exposé aux éclaboussures, au déversement ou à l'égouttement de liquides, quels qu'ils soient.



Ce sigle vise à signaler à l'utilisateur la présence d'une « tension dangereuse » non isolée au sein de l'appareil, dont la puissance peut être suffisante pour provoquer un risque d'électrocution.



Ce sigle vise à signaler à l'utilisateur la présence d'une documentation importante concernant les instructions de fonctionnement et d'entretien de cet appareil.

REMARQUE au sujet de l'adaptateur CA

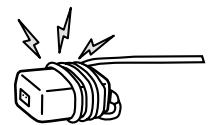
Avertissement

Afin de réduire les risques d'incendie et de choc électrique, n'exposez pas cet appareil à la pluie ou à l'humidité.

Pour éviter les risques d'incendie et d'électrocution, ne placez pas d'objets contenant des liquides, tels qu'un vase, sur l'appareil.

N'installez pas cet appareil dans un espace restreint, comme une bibliothèque ou un meuble semblable.

- Assurez-vous que la prise de courant est située à proximité de l'appareil et qu'elle est facilement accessible.
- Utilisez l'adaptateur de courant CA et le cordon d'alimentation fournis.
- N'utilisez aucun autre adaptateur de courant CA. Il pourrait entraîner des problèmes de fonctionnement.
- Branchez l'adaptateur de courant CA dans une prise de courant facilement accessible.
- N'enroulez pas le cordon d'alimentation CA autour de l'adaptateur de courant CA. Cela pourrait provoquer une entaille dans le fil de noyau ou provoquer un mauvais fonctionnement du téléviseur.
- Ne touchez pas l'adaptateur de courant CA avec des mains mouillées.
- Si vous constatez une anomalie de l'adaptateur de courant CA, débranchez-le immédiatement de la prise de courant.
- L'appareil n'est pas débranché de la source de courant CA tant qu'il demeure branché à la prise de courant, même si l'appareil lui-même est hors tension.



(Suite)

3 (FR)

AVERTISSEMENT

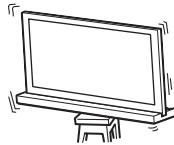
Si les mesures suivantes ne sont pas observées, cela peut entraîner un décès ou des blessures graves lors d'un incendie, d'électrocution ou du basculement du produit.

Prenez les mesures nécessaires afin d'éviter que le téléviseur ne bascule.

Le téléviseur peut alors basculer et provoquer des blessures. Fixez le support TV et le bâti, etc. pour qu'il ne bascule pas.

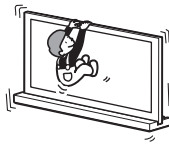
Assurez-vous d'installer le support TV sur une surface stable.

Si vous installez le téléviseur sur une surface instable, il peut être en déséquilibre et basculer ou tomber. Ceci pourrait alors causer des blessures ou des dommages.



Ne vous appuyez pas et ne vous suspendez pas au téléviseur lorsque ce dernier est installé sur le support TV.

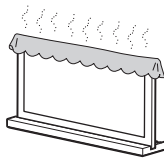
Le téléviseur peut basculer ou tomber et entraîner la mort ou des blessures graves.



Ne bouchez pas les trous de ventilation du téléviseur.

Les orifices de ventilation du téléviseur sont nécessaires pour assurer son fonctionnement fiable et le protéger de la surchauffe.

- Ne bloquez pas et ne couvrez pas les orifices de ventilation à l'aide de chiffons ou autres.
- Ne déversez jamais de liquides ou ne laissez jamais tomber d'objets dans les orifices de ventilation.



Ne placez pas d'objets contenant des liquides, tels qu'un vase ou une plante en pot, sur l'appareil.

N'utilisez pas un téléviseur alimenté par une source de courant électrique près de l'eau (baignoire, lavabo, évier de cuisine, cuve de lavage, piscine, sous-sol humide, etc.).

N'installez pas le téléviseur dans des endroits sujets à des extrêmes de température, par exemple à la lumière directe du soleil ou encore près d'un radiateur ou d'une bouche de chaleur.

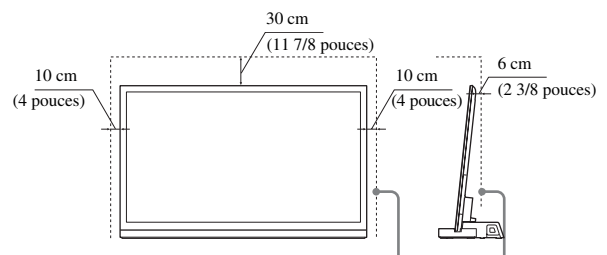
Dans de telles conditions, le téléviseur pourrait surchauffer, ce qui peut provoquer une déformation du boîtier et/ou des problèmes de fonctionnement.

N'installez pas le téléviseur dans un endroit exposé directement à l'air climatisé.

De l'humidité pourrait se condenser à l'intérieur du téléviseur et provoquer des problèmes de fonctionnement.

Laissez un espace suffisant autour du téléviseur pour assurer une circulation d'air adéquate.

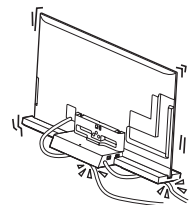
Laissez un espace suffisant autour du téléviseur, tel qu'illustré ci-dessous.



Laissez au moins cet espace autour du téléviseur.

Cordon d'alimentation CA

- Assurez-vous de ne pas pincer le cordon d'alimentation CA ou le câble de raccordement lors de l'installation du téléviseur sur le support TV. Si le cordon d'alimentation CA ou le câble de raccordement est endommagé, il risque de se produire un incendie ou une électrocution.
- Ne marchez pas sur le cordon d'alimentation CA ou sur le câble de raccordement lorsque vous transportez le support TV. Le cordon d'alimentation CA ou le câble de raccordement peut être endommagé et cela peut provoquer un incendie ou une électrocution.
- Si vous trébuchez sur le cordon d'alimentation CA ou sur le câble de raccordement, le support TV peut basculer et provoquer des blessures.
- Pour interrompre complètement l'alimentation électrique du support TV, débranchez le cordon d'alimentation CA de la prise de courant.



ATTENTION

Si les mesures suivantes ne sont pas observées, cela peut entraîner des blessures ou des dommages.

N'y installez pas un autre appareil que celui mentionné.

Ce support TV est conçu pour être utilisé uniquement avec l'appareil spécifié. Si vous installez un appareil autre que celui spécifié, ce dernier peut tomber ou se briser et provoquer des blessures. À moins d'indications contraires, les illustrations utilisées dans le présent manuel montrent le modèle KDL-40NX72x.

Assurez-vous de bien fixer le téléviseur.

Fixez le téléviseur au support TV à l'aide des vis fournies. Si le téléviseur est mal fixé, il peut tomber ou le support TV peut basculer et provoquer des blessures.

Installation

N'installez pas le support TV à un angle ou sur un plan incliné. Pour éviter cela, observez les mesures suivantes.

- Si vous installez le support TV sur une surface souple comme un tapis ou une moquette, placez d'abord une planche sur l'emplacement désigné.
- N'installez pas le support TV dans un endroit exposé au rayonnement direct du soleil ou près d'un radiateur.
- N'installez pas le téléviseur dans un endroit chaud ou humide, ni à l'extérieur.

Utilisation

Nettoyage

Pour conserver le support TV propre, essuyez-le de temps à autres avec un chiffon doux et sec. Les taches tenaces peuvent être enlevées à l'aide d'un chiffon légèrement imbibé d'un savon doux. Assurez-vous ensuite de sécher l'endroit à l'aide d'un chiffon doux et sec. N'utilisez pas de produits chimiques comme un diluant ou du benzène car ils endommagent la surface du support TV.

Assurez-vous que l'installation est effectuée par au moins deux personnes.

Assurez-vous qu'au moins deux personnes installent le téléviseur sur le support TV. Si une personne seule procède à l'installation, cela peut entraîner un accident ou des blessures.

Ne modifiez pas le support TV.

Il pourrait tomber et entraîner des blessures.

Assurez-vous de bien installer le téléviseur en suivant les instructions.

Serrez bien les vis. Si le téléviseur n'est pas installé correctement, il peut tomber et entraîner des blessures.

Assurez-vous de ne pas vous blesser aux mains ou aux doigts lors de l'assemblage.

- Ne déplacez pas le support TV en tenant la section du col.
- Assurez-vous de ne pas vous blesser aux doigts ou aux mains lors de l'installation du téléviseur.

PRÉCAUTIONS

Sources d'alimentation

- Si vous n'utilisez pas le support TV pendant une longue période, assurez-vous de le débrancher de la prise de courant murale. Pour débrancher le cordon d'alimentation CA, saisissez la fiche, ne tirez jamais sur le cordon.
- Le cordon d'alimentation CA ne doit être remplacé que par un atelier de réparation autorisé.

Fonctionnement

Avant de raccorder les autres appareils, assurez-vous de mettre hors circuit et de débrancher le support TV.

Copyrights

Ce support TV intègre les systèmes Dolby* Digital et Pro Logic Surround ainsi que DTS** Digital Surround System.

* Fabriqué sous licence de Dolby Laboratories. Dolby, Pro Logic et le symbole double-D sont des marques de Dolby Laboratories.

** Fabriqué sous licence des brevets américains suivants : 5 451 942 ; 5 956 674 ; 5 974 380 ; 5 978 762 ; 6 487 535, ainsi que d'autres brevets délivrés ou en instance aux États-Unis et dans le monde. DTS et son symbole sont des marques déposées et DTS Digital Surround ainsi que les logos DTS sont des marques commerciales de DTS, Inc. Ce produit comprend un logiciel. © DTS, Inc. Tous droits réservés.

Ce support TV intègre la technologie High-Definition Multimedia Interface (HDMI™).

HDMI, le logo HDMI et High-Definition Multimedia Interface sont des marques de commerce ou des marques déposées de HDMI Licensing, LLC aux États-Unis et dans d'autres pays ou régions.

« BRAVIA » est une marque de commerce de Sony Corporation.

(Suite)

5 (FR)

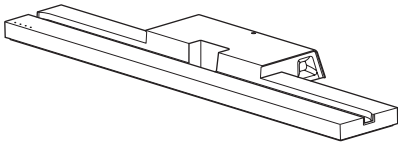
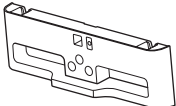
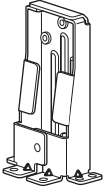
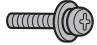



Extraction du support TV de son emballage

Assurez-vous de tenir le support TV et de le manipuler avec précautions.

Consultez les directives de fonctionnement fournies avec le téléviseur sur la façon d'enlever le support de table du téléviseur.

Étape 1 : Vérification des pièces

Nom	Quantité
Support 	1
Articulation 	1
Col 	1
Vis de fixation du col au support TV (PSW5 × 16) (× 3) Vis d'articulation (PSW5 × 16) (× 3) 	6
Vis du col (PSW4 × 12) 	4
Adaptateur CA (ACDP-001)	1
Cordon d'alimentation CA	
Câble HDMI haute vitesse	1
Manuel d'instructions	1
Carte de garantie	

AVERTISSEMENT

Si le cordon d'alimentation CA est pincé sous ou entre des appareils, cela peut provoquer un court-circuit ou une électrocution. Si vous trébuchez sur le cordon d'alimentation CA ou sur le câble de raccordement, le support TV peut basculer et provoquer des blessures.

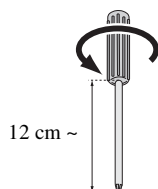
Décidez de l'emplacement et déposez-y le support TV avant d'installer le téléviseur.

Puisque le téléviseur est lourd, il est recommandé de décider d'abord de l'emplacement de l'installation et d'assembler le support TV sur place.

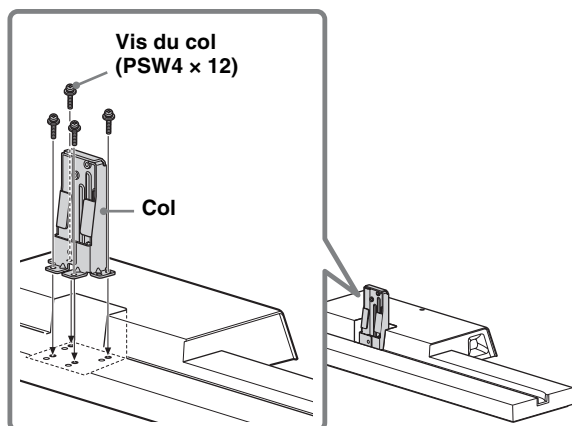
Étape 2 : Installation du téléviseur

Avant le montage

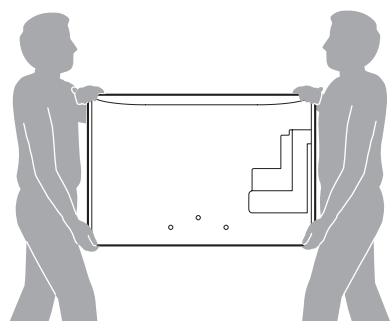
- Assurez-vous d'avoir un tournevis Phillips de la taille des vis avant le montage.
- Lors de l'utilisation d'un tournevis électrique, réglez son couple à environ 1,5 N·m { 15 kgf·cm }.



1 Fixez le col au support TV à l'aide des quatre vis du col (PSW4 x 12) (fournies).

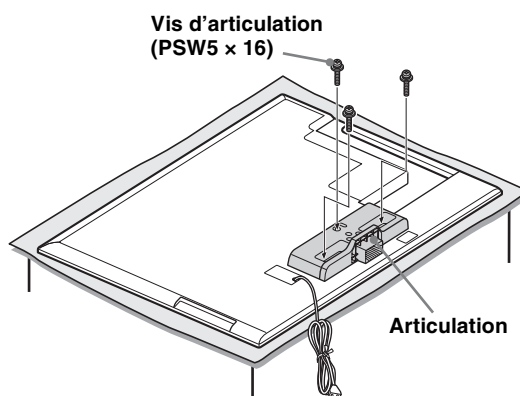


2 Lors du déplacement du téléviseur, tenez le téléviseur de la manière illustrée ci-dessous.



3 Fixez l'articulation fournie à l'arrière du téléviseur à l'aide de trois vis (PSW5 x 16) (fournies).

Faites glisser l'articulation fournie vers le haut pour la fixer.



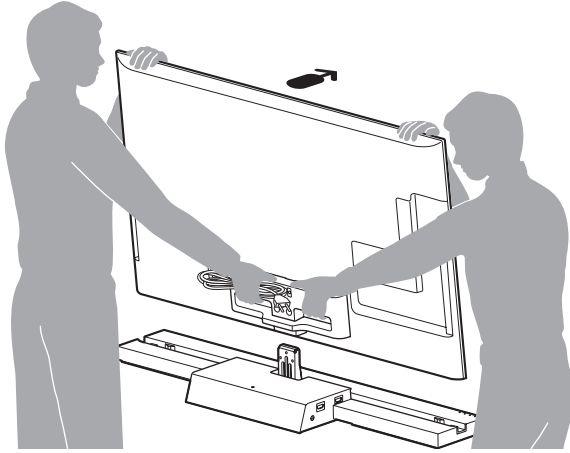
- Assurez-vous de conserver les vis enlevées.
- Lors de la dépose du support de table de l'écran, placez l'écran face vers le bas sur une surface de travail stable d'une superficie plus grande que celle de l'écran.
- Pour éviter d'endommager la surface de l'écran LCD, assurez-vous de placer un chiffon doux sur la surface de travail.

ATTENTION

- Si la surface de l'écran subit une pression ou un choc, l'écran LCD peut se briser ou être endommagé.
 - Déposez l'écran face vers le bas sur une surface stable et de niveau, le support de table dépassant le rebord de la surface.
- Si le devant de l'écran et la base du support de table sont au même niveau, le tout devient instable et cela peut endommager l'écran.

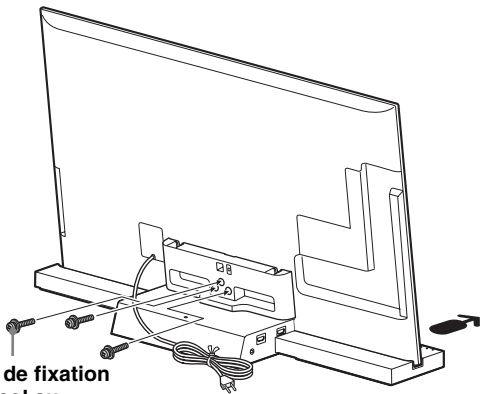
4 Installez le téléviseur sur le support TV.

Pour installer le téléviseur, placez-le dans la rainure du support TV.



← La flèche indique l'avant du support TV.

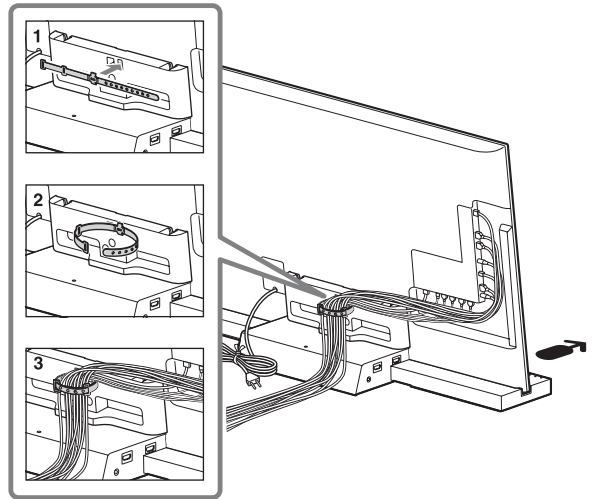
5 Fixez le téléviseur et le support TV à l'aide des trois vis de fixation du col au support TV (PSW5 x 16) (fournies).



Vis de fixation
du col au
support TV
(PSW5 x 16)

6 Groupage des câbles.

Utilisez le serre-câble fourni avec le téléviseur.



- Ne regroupez pas le cordon d'alimentation CA avec les autres câbles.

Étape 3 : Mesures de sécurité visant à empêcher le basculement

AVERTISSEMENT

Prenez les mesures nécessaires afin d'éviter que le support TV ne bascule et ne cause des blessures et des dommages.

Fixer le téléviseur et le support TV



Sony recommande fortement de prendre les mesures nécessaires pour prévenir le basculement du téléviseur. Des téléviseurs qui ne sont pas fixés solidement peuvent basculer et entraîner des dommages matériels, des blessures corporelles graves ou même mortelles.

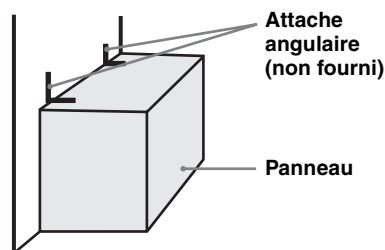
Prévenir le basculement du téléviseur et du support TV

- Fixer solidement le téléviseur à un mur et/ou à un panneau.
- Ne pas laisser les enfants jouer ou monter sur les meubles et les téléviseurs.
- Éviter de placer ou d'accrocher des objets sur le téléviseur.
- Ne jamais installer le téléviseur sur :
 - des surfaces glissantes, instables et/ou inégales.
 - un meuble qui peut facilement servir d'escalier, comme une commode à tiroirs.
- Installez le téléviseur où il ne peut pas être tiré, poussé ou renversé.
- Acheminez les cordons d'alimentation CA et les cordons connecteurs afin qu'ils ne soient pas accessibles aux enfants curieux.

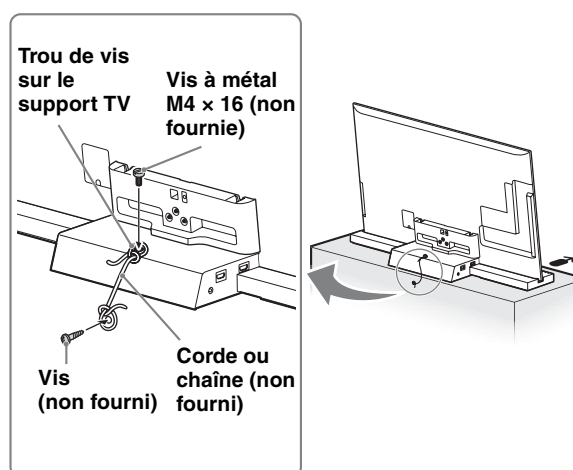
Mesures recommandées pour fixer solidement le téléviseur et le support TV

Tenez compte des mesures suivantes lorsque vous fixez votre téléviseur à un panneau (non fourni).

- 1 Fixer solidement le panneau pour le téléviseur.
Vous assurer que le panneau peut supporter adéquatement le poids du téléviseur. Utiliser deux attaches angulaires (non fournies) pour fixer solidement le panneau. Avec chaque attache angulaire, utiliser la quincaillerie appropriée pour :
 - fixer un côté de l'attache angulaire au poteau mural.
 - fixer l'autre côté au panneau.



- 2 Fixer solidement le téléviseur au panneau.
Utiliser la quincaillerie optionnelle mentionnée ci-dessous (non fournie) :
 - Vis à métal M4 x 16 (vissée dans le support TV)
 - Une vis ou l'équivalent (la fixer au panneau)
 - Une corde ou une chaîne (assez solide pour supporter le poids du téléviseur). Vous assurer qu'il n'y a pas de mou excessif dans la corde ou la chaîne.Un moyen alternatif de fixer le téléviseur est à l'aide de l'ensemble de sangle de maintien Sony (optionnel).



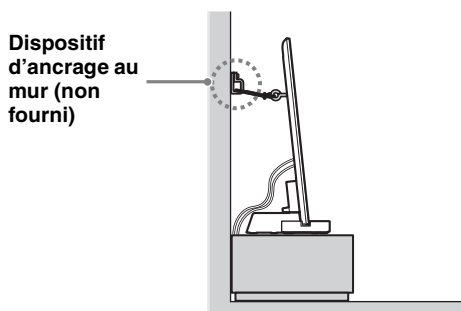
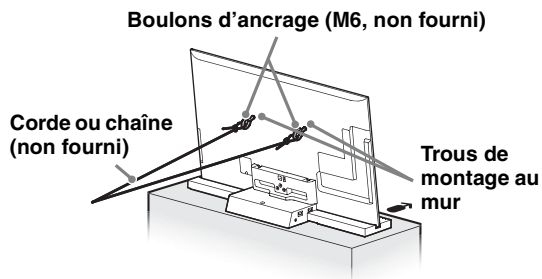
Communiquer avec le service à la clientèle de Sony pour obtenir l'ensemble de sangle de maintien en option de Sony en fournissant le nom du modèle de votre support TV (SU-B401S).

- Pour le Canada, téléphoner au : 1-877-899-7669
- Pour les États-Unis, téléphoner au : 1-800-488-7669 ou visiter : www.sony.com/accessories

- ③ Attacher le téléviseur au mur.
Fixez le téléviseur au mur avec des boulons, un dispositif d'ancrage au mur et une chaîne (ou une corde).



- Le fait de fixer le téléviseur au panneau sans fixer le téléviseur et le panneau au mur fournit une protection minimale contre le basculement du téléviseur. Pour une protection supplémentaire, suivre les trois mesures recommandées.

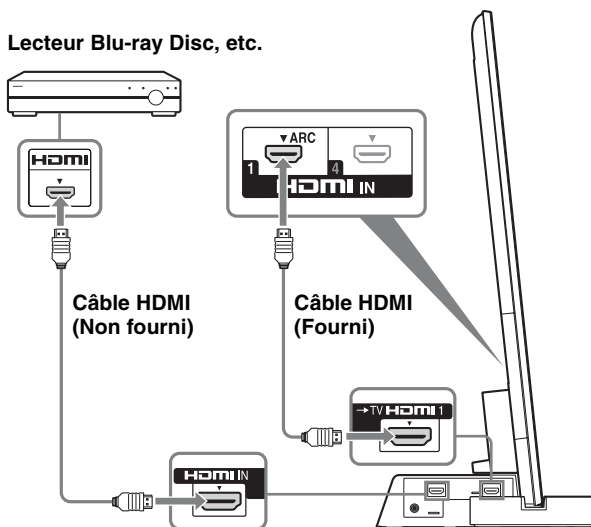


Étape 4 : Raccordement du téléviseur et du lecteur

Raccordez le téléviseur avec la prise HDMI IN 1 au support TV à l'aide d'un câble HDMI.

En raccordant des appareils compatibles « BRAVIA » Sync de Sony à l'aide de câbles HDMI, le fonctionnement peut être simplifié lorsque vous réglez la fonction Commande pour HDMI pour le téléviseur.

Lecteur Blu-ray Disc, etc.



- Veillez ne pas raccorder un ordinateur avec la prise HDMI.
- Le support TV est compatible avec la fonction Audio Return Channel (ARC). Si vous raccordez le support TV à la prise HDMI IN 1 du téléviseur compatible ARC à l'aide d'un câble HDMI, vous n'avez pas à raccorder le téléviseur au support TV à l'aide du câble optique numérique.
- Vous pouvez voir les lettres « ARC » près de la prise HDMI du téléviseur si elle est compatible avec la fonction ARC. Même si vous raccordez un câble HDMI à la prise, si la prise d'entrée HDMI n'est pas compatible avec la fonction ARC, vous ne pouvez pas utiliser cette dernière.
- La fonction ARC est uniquement disponible lorsque Commande pour HDMI est activée.



- Même si le support TV est mis hors tension (mode d'attente actif), le signal HDMI est transmis de l'appareil raccordé au téléviseur par le biais de la connexion HDMI. Vous pouvez profiter de l'image et du son de l'appareil à partir du téléviseur.

(Suite)

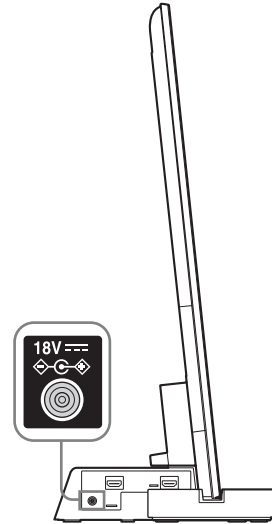
11 (FR)

Remarques sur les connexions HDMI

- Utilisez un câble HDMI haute vitesse. Si vous utilisez un câble HDMI standard, 1080p, Deep Color ou 3D, les images ne sont pas affichées correctement.
- Nous vous recommandons d'utiliser un câble HDMI homologué.
- Vérifiez la configuration de l'appareil raccordé si l'image est mauvaise ou si le son n'est pas transmis par un appareil raccordé par le câble HDMI.
- Les signaux audio (fréquence d'échantillonnage, longueur en bits, etc.) transmis d'une prise HDMI peuvent être supprimés par l'appareil raccordé.
- Le son peut être interrompu lorsque la fréquence d'échantillonnage ou le nombre de canaux de signaux audio de sortie de l'appareil de lecture est commuté.
- Lorsque l'appareil raccordé n'est pas compatible avec la technologie de protection des droits d'auteurs (HDCP), l'image et/ou le son provenant de la prise HDMI TV OUT peut subir une distorsion ou ne pas être transmis. Dans ce cas, vérifiez les caractéristiques techniques de l'appareil raccordé.
- Nous ne recommandons pas l'utilisation d'un câble de conversion HDMI-DVI.
- Ce système prend en charge la transmission Deep Color, « x.v. Color » et 3D.

Étape 5 : Connexion du cordon d'alimentation CA

Raccordez tous les appareils et le téléviseur au support TV avant de connecter le cordon d'alimentation CA de l'adaptateur CA du support TV à la prise de courant murale.



- Connectez le support TV à une prise de courant CA facile d'accès. Si le support TV présente une anomalie, débranchez immédiatement la fiche principale de la prise de courant CA.

Étape 6 : Effectuer les réglages du téléviseur

❶ Régler à « Oui » dans la fonction « Commande pour HDMI ».

Appuyez sur la touche HOME de la télécommande du téléviseur et sélectionnez le menu de la façon suivante :

📁 Réglages > 📁 Entrées externes > Réglages HDMI > Commande pour HDMI > Oui

❷ Régler à « Système audio » dans le menu « Haut-parleurs ».

Appuyez sur la touche SYNC MENU de la télécommande du téléviseur et sélectionnez le menu de la façon suivante :

Haut-parleurs > Système audio



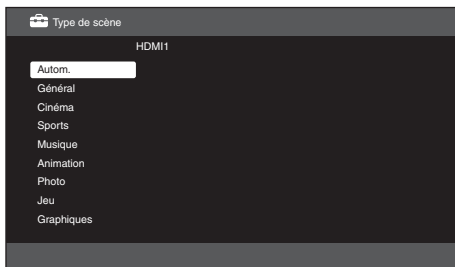
Après avoir terminé les réglages pour les procédures ❶ et ❷, l'indicateur **I** (alimentation) s'allume en vert.



• Mode Type de scène

Ce support TV est synchronisé automatiquement avec les réglages de son du téléviseur et fonctionne avec la fonction Type de scène pour que vous puissiez choisir le son préféré pour la scène choisie.

Pour modifier le son, modifiez les réglages de son du téléviseur.



• Contrôle de position

Lorsque vous réglez « Commande périph. ext. » à « Oui » sur le téléviseur, ce support TV ajuste l'équilibre du volume entre les haut-parleurs gauche et droit en fonction de la position de visionnement. (Réglage du téléviseur)

Pour régler « Contrôle de position », appuyez sur la touche HOME, puis sélectionnez 📁 > Préférences > Contrôle de position > l'option souhaitée.

Dépannage

Son

Aucun son :

- Vérifiez la connexion du câble HDMI.
- Vérifier les réglages pour « Commande pour HDMI » et « Système audio » à l'étape 6 (page 13).

Utilisation avec casque d'écoute :

- Faites commuter « Système audio » à « Haut-parleurs de télé » dans le réglage « Haut-parleurs ».

Utilisation avec un équipement externe pour un son double :

- Si vous ne parvenez pas à commuter le son, faites commuter le réglage de sortie audio de l'équipement externe pour activer PCM.

Indicateur

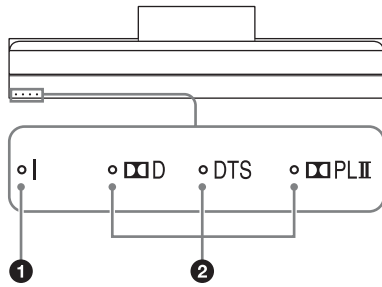
Bien que le téléviseur soit mis sous tension, l'indicateur **I** (alimentation) du support TV ne s'allume pas :

- Vérifiez si le cordon d'alimentation CA de l'adaptateur CA est bien connecté à une prise de courant murale.
- Consultez les services de soutien à la clientèle.

Le voyant indicateur rouge clignote **I** (alimentation) :

- Il peut y avoir un mauvais fonctionnement du produit. Vérifiez le nombre de clignotements de la DÉL et consultez le centre de service Sony.

Indicateur



1 Indicateur I (alimentation)

S'allume de la manière suivante :

Vert : le support TV est mis sous tension. (Le « Système audio » est réglé pour les « Haut-parleurs ».)

Non : le support TV est en mode d'attente ou hors tension.

2 Indicateurs de format audio

S'allume en fonction du format audio qui est introduit dans le support TV.

□ D : Dolby Digital

DTS

□ PLII : Dolby Pro Logic II

		SU-B401S
Dimensions : mm (pouces)	Ⓐ	110 (4 3/8)
	Ⓑ	151 (6)
	Ⓒ	944 (37 1/4)
	Ⓓ	612 (24 1/8)
	Ⓔ	261 (10 3/8)
Poids du support :		4,9 kg (10,8 lb)

Section amplificateur

Puissance nominale de sortie

Avant : 10 W + 10 W, (par canal)
8 ohms, 1 kHz, DHT moins
de 1%

Caisson d'extrêmes graves : 20 W,
6 ohms, 100 Hz, DHT moins de 1%

Section HDMI

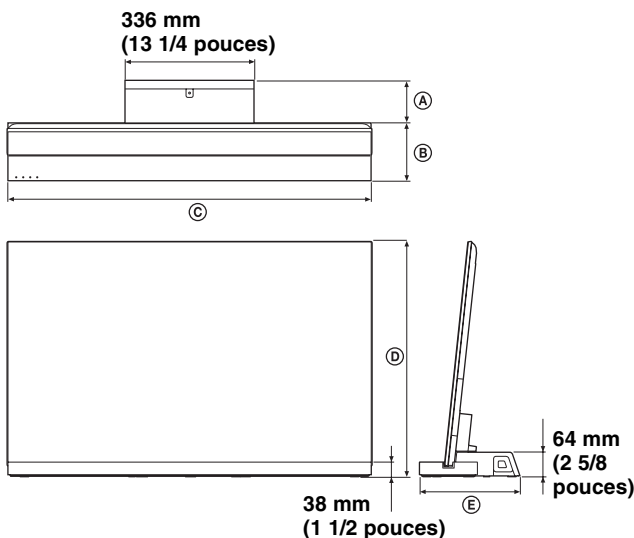
Connecteur

Connecteur HDMI™

Entrées/sorties vidéo

720 × 480p (60 Hz) 16:9
1280 × 720p (60 Hz) 16:9
1920 × 1080i (60 Hz) 16:9
1280 × 720p (50 Hz) 16:9
720 (1440) × 480i (60 Hz) 4:3
720 (1440) × 480i (60 Hz) 16:9
720 (1440) × 576i (50 Hz) 4:3
720 (1440) × 576i (50 Hz) 16:9
1920 × 1080p (60 Hz) 16:9
720 × 576p (50 Hz) 16:9
1920 × 1080i (50 Hz) 16:9
1920 × 1080p (50 Hz) 16:9
1920 × 1080p (24 Hz) 16:9
1920 × 1080p (30 Hz) 16:9
1280 × 720p (24 Hz) 16:9
1280 × 720p (30 Hz) 16:9
Deep Color : 30 bits/36 bits
1280 × 720p@59,94/60 Hz
Entassement d'image
1920 × 1080i@59,94/60 Hz
Entassement d'image
1920 × 1080i@59,94/60 Hz
Côte-à-côte (Moitié)
1920 × 1080p@59,94/60 Hz
Côte-à-côte (Moitié)
1280 × 720p@50 Hz
Entassement d'image
1920 × 1080i@50 Hz
Entassement d'image
1920 × 1080i@50 Hz
Côte-à-côte (Moitié)
1920 × 1080p@50 Hz
Côte-à-côte (Moitié)
1920 × 1080p@24 Hz

Spécifications



Entrées audio Entassement d'image
Deep Color : 30 bit/36 bit
PCM linéaire 2 canaux/5.1 canaux/
7.1 canaux
Dolby Digital
DTS
Chaque signal est conforme aux
formats 32, 44,1, 48 kHz.

Haut-parleurs

Enceinte frontale

Système de haut-parleurs

2 voies, 2 circuits d'attaque, Bass
reflex

Haut-parleur

Haut-parleur de graves :
30 × 100 mm type cône × 1
Haut-parleur d'aigus :
30 mm type cône

Caisson d'extrêmes graves

Système de haut-parleurs

Caisson d'extrêmes graves, Bass
reflex

Haut-parleur

70 mm type cône

Généralités

Alimentation nécessaire

100 – 240 V, 50/60 Hz

Puissance consommée

Sous tension : 12 W

Attente : 0,7 W

- Consommation d'énergie en attente : 0,7 W
- Les produits ignifuges halogénés ne sont pas utilisés sur certaines cartes imprimées.
- Une efficacité énergétique supérieure à 85% du bloc amplificateur est obtenue à l'aide de l'amplificateur numérique global S-Master.

La conception et les caractéristiques techniques sont sujettes à modification sans préavis.

Instrucciones importantes de seguridad

- 1) Lea estas instrucciones.
- 2) Guarde estas instrucciones.
- 3) Respete todas las advertencias.
- 4) Siga todas las instrucciones.
- 5) No utilice este aparato cerca del agua.
- 6) Límpielo únicamente con un paño seco.
- 7) No bloquee los orificios de ventilación. Instale el aparato según las instrucciones del fabricante.
- 8) No lo instale cerca de fuentes de calor como radiadores, calefactores, hornos u otros aparatos (incluidos los amplificadores) que generen calor.
- 9) Respete la finalidad de seguridad del enchufe polarizado o de tipo conexión a tierra. Un enchufe polarizado presenta dos contactos, uno más ancho que el otro. Un enchufe de tipo conexión a tierra dispone de dos contactos y una tercera clavija de conexión a tierra. El contacto ancho o la tercera clavija se suministra para su seguridad. Si el enchufe suministrado no encaja en la toma de corriente, póngase en contacto con un electricista para el reemplazo del tomacorriente que quedó obsoleto.
- 10) Para proteger el cable de alimentación, aléjelo de lugares de paso o donde pueda ser aplastado, especialmente en la punta de los enchufes, los tomacorrientes o el punto donde el cable sale del aparato.
- 11) Utilice únicamente los complementos o accesorios especificados por el fabricante.
- 12) Utilícelo únicamente con el carro, pedestal, trípode, abrazadera o mesa especificados por el fabricante o vendidos con el aparato. Si utiliza un carro, tenga cuidado al moverlo junto con el aparato para evitar lesiones en el caso de una caída.
- 13) Desenchufe el aparato durante tormentas eléctricas o cuando no se utilice durante períodos de tiempo prolongados.
- 14) Solicite servicio técnico únicamente a personal de servicio técnico especializado. Será necesario solicitar servicio técnico si el aparato ha sufrido daños como, por ejemplo, si el cable de alimentación o el enchufe están dañados, se ha vertido líquido o se ha caído algún objeto dentro del aparato, o bien si dicho aparato ha sido expuesto a la lluvia o a humedad, no funciona correctamente o se ha caído.



Tenga en cuenta las advertencias de seguridad adicionales para evitar descargas eléctricas, cortocircuitos, incendios, lesiones corporales o daños materiales.

Registro de propiedad

El modelo y el número de serie están situados en la parte posterior del soporte para TV. Anote esos números en el espacio que tiene a continuación.

Refiérase a ellos cuando contacte con su distribuidor Sony acerca de este soporte para TV.

Nombre de modelo

N° de serie

Para los clientes de Canadá:

Este aparato digital Clase B cumple con el estándar ICES-003 (Interference-Causing Equipment Standard) de Canadá.

Información de la FCC relacionada

Este aparato fue debidamente probado, demostrándose que cumple con los límites establecidos para los dispositivos digitales Clase B de acuerdo con la Sección 15 de las normas de la FCC. Estos límites se establecieron para ofrecer protección razonable contra interferencias perjudiciales en las instalaciones residenciales. Este aparato genera, usa y puede emitir energía de frecuencia radioeléctrica, y si no se instala y utiliza de acuerdo con las instrucciones correspondientes, podría producir interferencias perjudiciales en las radiocomunicaciones. No obstante, no puede garantizarse que no se produzcan estas interferencias en una instalación determinada. Si este aparato llega a interferir en la recepción de radio o televisión, lo que podrá comprobarse encendiendo y apagando el aparato, se recomienda al usuario intentar corregir la interferencia mediante una o más de las siguientes medidas:

- Cambiar la orientación o la ubicación de la antena de recepción.
- Aumentar la distancia entre el equipo y el receptor.
- Conectar el equipo a un tomacorriente de un circuito distinto al que está enchufado el receptor.
- Ponerse en contacto con el distribuidor o solicitar los servicios de un técnico capacitado en radio y televisión.

De acuerdo con las regulaciones de la FCC, se le advierte que cualquier cambio o modificación que no se apruebe expresamente en este manual podría anular su autorización para operar este equipo.

Seguridad

Gracias por adquirir este producto. Los productos Sony se diseñan teniendo en cuenta la seguridad. Una utilización incorrecta podría causar lesiones serias provocadas por incendios, descargas eléctricas, volcado del producto o caída del producto. Asegúrese de tener en cuenta las precauciones de seguridad para evitar dichos accidentes.

Este manual de instrucciones muestra la manipulación correcta del producto y las precauciones importantes necesarias para evitar accidentes. Asegúrese de leer detenidamente este manual y utilizar el producto de forma correcta. Guarde este manual para consulta futura.

PRECAUCIÓN

Productos especificados

Este soporte está diseñado para su utilización con los productos Sony que se mencionan a continuación. No realice la instalación de otros productos que no sean aquellos especificados.

Los siguientes productos están sujetos a cambios sin previo aviso, y podrían estar agotados o discontinuados. Además, ciertos modelos sólo se comercializan en determinadas regiones.

	Televisor LCD color
SU-B401S	KDL-40NX72x

* En los nombres de modelo reales, "x" indica los números y/o caracteres específicos de cada modelo.

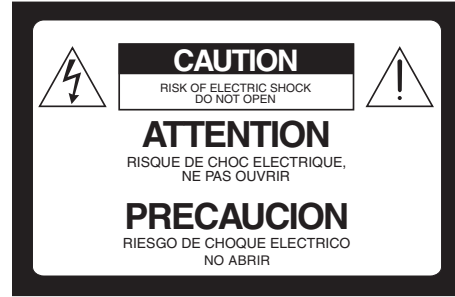
Ubicación de la etiqueta de identificación

La etiqueta con el número de modelo se encuentra ubicada en la parte posterior del soporte para TV.

ADVERTENCIA

Para reducir el riesgo de incendio o descarga eléctrica, no exponga este aparato a la humedad ni a la lluvia.

El aparato no debe estar nunca expuesto a goteos, salpicaduras o derrames de ningún tipo de líquido.



Este símbolo pone sobre aviso al usuario de la presencia de "voltaje peligroso" sin aislamiento en el interior del aparato, el cual puede ser de tal intensidad que podría presentar riesgo de descarga eléctrica.

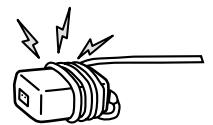


Este símbolo tiene por objeto advertir al usuario que la documentación que acompaña a este aparato contiene instrucciones importantes de operación y mantenimiento (servicio).

NOTA sobre el adaptador de ca Advertencia

Para reducir el riesgo de incendio o descarga eléctrica, no exponga este aparato a la humedad ni la lluvia. Para evitar incendios o descargas eléctricas, no coloque objetos con líquidos, como floreros, sobre el aparato. No instale este equipo en un lugar cerrado, como en una biblioteca o un mueble similar.

- Asegúrese de que el tomacorriente de pared esté instalado cerca del televisor y que sea de fácil acceso.
- Asegúrese de utilizar el adaptador de alimentación de ca y el cable de alimentación de ca suministrados.
- No utilice ningún otro adaptador de alimentación de ca, puesto que podría interferir con el funcionamiento.
- Conecte el adaptador de alimentación de ca a un tomacorriente de pared de fácil acceso.
- No enrolle el cable de alimentación de ca alrededor del adaptador de alimentación de ca. Es posible que el alambre del núcleo esté cortado o que haga que el televisor funcione defectuosamente.
- No toque el adaptador de alimentación de ca con las manos húmedas.
- Si observa algo raro en el adaptador de alimentación de ca, desconéctelo del tomacorriente de pared inmediatamente.
- El televisor no se desconecta de la fuente de alimentación de ca mientras siga conectado al tomacorriente de pared, incluso si el televisor ha sido apagado.



(continúa)

ADVERTENCIA

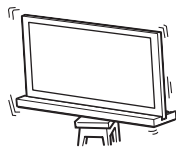
Si no se tienen en cuenta las siguientes precauciones, podría originarse una lesión seria o incluso la muerte provocadas por incendios, descargas eléctricas o se caiga del producto.

Asegúrese de tomar las medidas adecuadas para evitar que el soporte para TV se caiga.

De lo contrario, el televisor podría volcarse y provocar daños. Sujete firmemente el soporte para TV, la base, etc. para evitar que el producto se caiga.

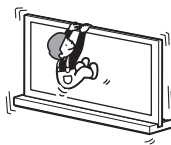
Asegúrese de instalar el soporte para TV sobre una superficie estable.

Si instala el soporte para TV sobre una superficie inestable, éste perderá su equilibrio y se volcará o caerá. Esta situación puede provocar lesiones o daños materiales.



No se apoye o cuelgue del televisor cuando está instalado en el soporte para TV.

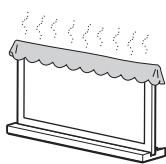
El soporte para TV podría volcarse o el televisor podría caerse y provocar lesiones graves o la muerte.



No obstruya los orificios de ventilación del televisor.

Los orificios de ventilación del televisor permiten garantizar un funcionamiento confiable del televisor y protegerlo de un sobrecalentamiento.

- No bloquee ni cubra los orificios de ventilación del televisor con un paño u otros materiales.
- Nunca permita que caigan líquidos u objetos sólidos dentro de los orificios de ventilación.



No coloque objetos con líquidos, como floreros o macetas con plantas, sobre el aparato.

No utilice un televisor que requiera alimentación eléctrica cerca del agua como, por ejemplo, cerca de bañeras, lavamanos, fregaderos o piletas de lavado, en un sótano húmedo ni cerca de una piscina.

No instale el televisor en lugares sometidos a temperaturas extremas, como por ejemplo los expuestos a la luz solar directa, los cercanos a un radiador o a un conducto de calefacción.

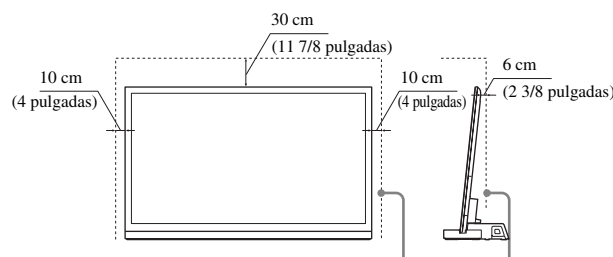
El televisor podría recalentarse en tales condiciones y producir la deformación del interior del aparato y/o empezar a funcionar defectuosamente.

No instale el televisor en un lugar expuesto de forma directa al aire acondicionado.

Se podría condensar la humedad en su interior y empezar a funcionar defectuosamente.

Deje suficiente espacio alrededor del televisor para garantizar una buena circulación del aire.

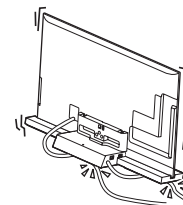
Deje suficiente espacio alrededor del televisor tal como se muestra a continuación.



Deje al menos este espacio alrededor del televisor.

Cable de alimentación de ca

- Evite que el cable de alimentación de ca o el cable de conexión queden atrapados al instalar el televisor o el soporte para TV. Si el cable de alimentación de ca o el cable de conexión se encuentran dañados, esto podría provocar un incendio o descarga eléctrica.
- No pise el cable de alimentación de ca o el cable de conexión al transportar el soporte para TV. El cable de alimentación de ca o el cable de conexión podrían sufrir daños y esta situación puede provocar un incendio o descarga eléctrica.
- Si se tropieza con el cable de alimentación de ca o el cable de conexión, el soporte para TV podría volcarse y provocar lesiones.
- Si se desenchufa el cable de alimentación de ca del tomacorriente de pared, se corta el suministro eléctrico al soporte para TV.



PRECAUCIÓN

Si no se tienen en cuenta las siguientes precauciones, podrían producirse lesiones o daños materiales.

No realice la instalación de otros aparatos que no sean aquellos especificados.

Este soporte para TV está diseñado para su utilización sólo con los productos especificados. Si realiza la instalación de otros aparatos que no sean aquellos especificados, este soporte podría caerse o dañarse y provocar lesiones. Las ilustraciones utilizadas en este manual muestran el modelo KDL-40NX72x, a menos que se indique lo contrario.

Asegúrese de fijar el televisor.

Fije el televisor al soporte para TV con los tornillos suministrados. Si no instala el televisor de forma segura, éste podría caerse o el soporte para TV podría volcarse y provocar lesiones.

Notas sobre la instalación

Evite que el soporte para TV quede instalado de forma inclinada. Para evitar esta situación, tenga en cuenta las siguientes precauciones.

- Si se instala el soporte para TV sobre una superficie suave, como un tapete o alfombra, coloque previamente un panel en la ubicación designada.
- No instale el soporte para TV en un lugar expuesto de forma directa a la luz solar o cerca de un calefactor.
- No instale el soporte para TV en un lugar cálido o húmedo, o en exteriores.

Nota sobre la utilización

Limpieza

Para mantener limpio el soporte para TV, realice una limpieza periódica con un paño seco y suave. Las manchas difíciles pueden limpiarse con un paño ligeramente humedecido con una solución de jabón neutro. Asegúrese de secar el área con un paño suave y seco. Nunca utilice productos químicos, como disolventes o bencina, ya que podrían dañar el acabado del soporte para TV.

Asegúrese de que al menos dos personas realicen el trabajo de instalación.

Asegúrese de que al menos dos personas instalen el televisor en el soporte para TV. Si una sola persona se encarga del trabajo de instalación, esto podría provocar accidentes o lesiones.

No modifique el soporte para TV.

Podría caerse y provocar lesiones.

Asegúrese de instalar correctamente el televisor siguiendo las instrucciones.

Apriete los tornillos de forma segura. Si no instala el televisor adecuadamente, puede caerse y provocar lesiones.

Tenga cuidado de no lesionarse las manos o dedos durante el armado.

- No mueva el soporte para TV sosteniéndolo de la sección del cuello.
- Tenga cuidado de no lesionarse las manos o dedos durante la instalación del televisor.

PRECAUCIONES

Fuentes de alimentación

- Si no va a utilizar el soporte para TV durante mucho tiempo, asegúrese de desconectarlo del tomacorriente. Para desconectar el cable de alimentación de ca, tire del enchufe, no del cable.
- El cable de alimentación de ca sólo se deberá reemplazar en un centro de servicio autorizado.

Utilización

Antes de conectar otros componentes, asegúrese de apagar y desenchufar el soporte para TV.

Derechos de autor

Este soporte para TV incorpora Dolby* Digital, Pro Logic Surround y DTS** Digital Surround System.

* Fabricado bajo licencia de Dolby Laboratories.

Dolby, Pro Logic y el símbolo de la doble D son marcas comerciales de Dolby Laboratories.

** Fabricado bajo licencia según Patente de los EE. UU. N.º:

5.451.942; 5.956.674; 5.974.380; 5.978.762; 6.487.535 y otras patentes emitidas y pendientes en los EE. UU. y el resto del mundo. DTS y el símbolo de DTS son marcas comerciales registradas y DTS Digital Surround y los logotipos de DTS son marcas comerciales de DTS, Inc. Incluye el software de los productos. © DTS, Inc. Reservados todos los derechos.

Este soporte para TV incorpora tecnología High-Definition Multimedia Interface (HDMI™).

HDMI, el logotipo de HDMI y High-Definition Multimedia Interface son marcas comerciales o marcas comerciales registradas de HDMI Licensing LLC en los EE. UU. y otros países.

“BRAVIA” es una marca comercial de Sony Corporation.



Referencia de funciones y traducciones

En este manual se incluyen ciertos términos en inglés. A continuación encontrará su traducción y explicación.

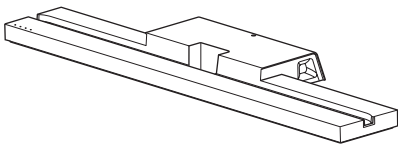
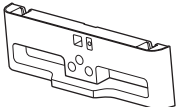
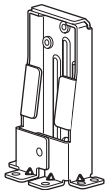

Texto en el manual	Español	Explicación
3D	Tridimensional	
ARC	Canal de retorno de audio	
Blu-ray Disc Player	Reproductor de Blu-ray Disc	
BRAVIA Sync	Marca comercial registrada	
Deep	Profundidad	
DVI	Interfaz visual digital	
FCC	Comisión Federal de Comunicaciones de Estados Unidos de America	
HDCP	Protección de contenido digital de ancho de banda alto	
HDMI	Interfaz multimedia de alta definición	
HDMI IN	Entrada de interfaz multimedia de alta definición	
HDMI TV OUT	Salida de televisión por interfaz multimedia de alta definición	
HOME	Inicio	
Kit	Conjunto de elementos	
LCD	Pantalla de cristal líquido	
LED	Iluminador	
PCM	Modulación por Impulsos Codificados	
THD	Distorsión Armónica Total	
TV	Televisión	

Nota sobre la extracción del soporte para TV de la caja de cartón

Asegúrese de sujetar y manipular con cuidado el soporte para TV.

Para obtener más información sobre cómo extraer el soporte de sobremesa del televisor, consulte las instrucciones de operación suministradas con el televisor.

Paso 1: Comprobación de las partes

Nombre	Cantidad
Soporte 	1
Junta 	1
Cuello 	1
Tornillo de sujeción del cuello del soporte para TV (PSW5 × 16) (× 3) Tornillo de la junta (PSW5 × 16) (× 3)	6
Tornillo del cuello (PSW4 × 12) 	4
Adaptador de ca (ACDP-001)	1
Cable de alimentación de ca	
Cable HDMI de alta velocidad	1
Manual de instrucciones	1
Tarjeta de garantía	

ADVERTENCIA

Si el cable de alimentación de ca queda atrapado debajo o entre las piezas del aparato, esto podría provocar un cortocircuito o una descarga eléctrica. Si se tropieza con el cable de alimentación de ca o el cable de conexión, el soporte para TV podría volcarse y provocar lesiones.

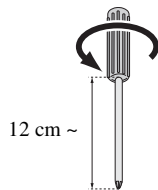
Decida el lugar de instalación y apoye el soporte para TV antes de instalar el televisor.

Dado que el televisor es pesado, se recomienda que decida de antemano el lugar de instalación y realice el armado del soporte para TV en el lugar definido.

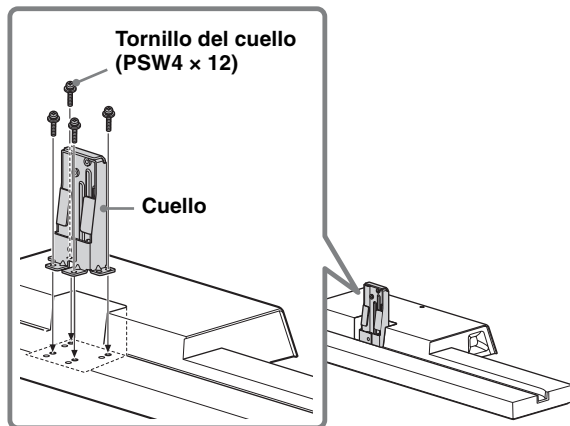
Paso 2: Instalación del televisor

Antes del armado

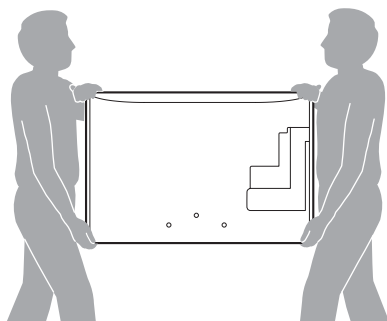
- Antes del armado, asegúrese de contar con un destornillador de cruz adecuado para los tornillos.
- Al utilizar un destornillador eléctrico, ajuste la configuración del par de apriete en aproximadamente 1,5 N·m {15 kgf·cm}.



1 Fije el cuello en el soporte para TV con los cuatro tornillos del cuello (PSW4 x 12) (suministrados).

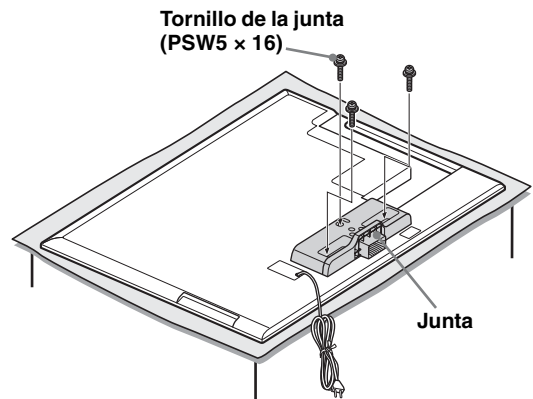


2 Cuando mueva el televisor, sosténgalo tal como se muestra a continuación.



3 Fije la junta suministrada a la parte posterior del televisor con los tres tornillos (PSW5 x 16) (suministrados).

Deslice la junta suministrada hacia arriba para fijarla.



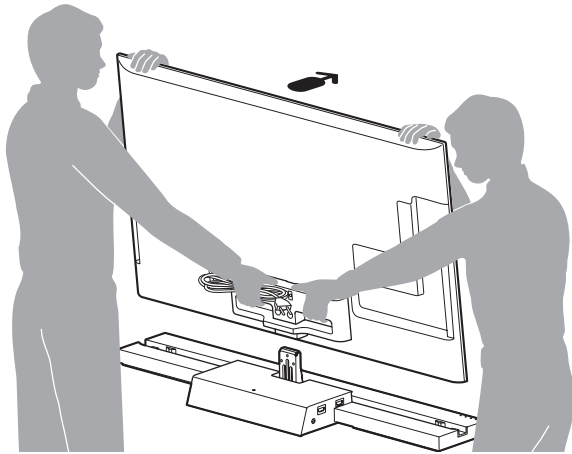
- Asegúrese de conservar los tornillos extraídos.
- Al extraer el soporte de sobremesa de la pantalla, coloque la pantalla mirando hacia abajo sobre una superficie de trabajo estable que sea más grande que la pantalla.
- Para evitar dañar la superficie de la pantalla LCD, asegúrese de colocar un paño suave en la superficie de trabajo.

PRECAUCIÓN

- Si se ejerce presión sobre la superficie de la pantalla o ésta se somete a impactos, la pantalla LCD podría dañarse.
- Coloque la pantalla mirando hacia abajo sobre una superficie estable y nivelada, de forma que el soporte de sobremesa sobresalga por el borde de la superficie. Si coloca la cara de la pantalla y la base del soporte de sobremesa en una superficie al mismo nivel, las condiciones de trabajo serán inestables y la pantalla podría sufrir daños.

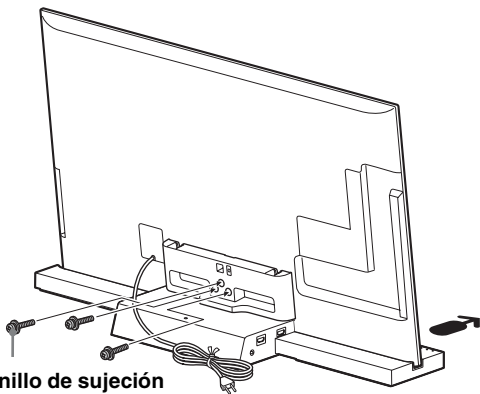
4 Instale el televisor en el soporte para TV.

Para la instalación, coloque el televisor en la ranura del soporte para TV.



← La dirección de la flecha muestra la parte frontal del soporte para TV.

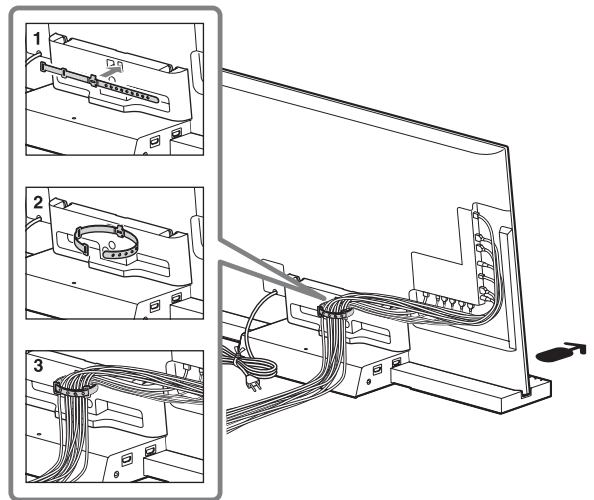
5 Fije el televisor y el soporte para TV con los tres tornillos de sujeción del cuello del soporte para TV (PSW5 x 16) (suministrados).



Tornillo de sujeción del cuello del soporte para TV (PSW5 x 16)

6 Sujeción de los cables.

Utilice el fijador de cables suministrado con el televisor.



- No sujete el cable de alimentación de ca junto con otros cables.

Paso 3: Medidas de seguridad para evitar que el soporte para TV se caiga

WARNING

Asegúrese de tomar las medidas necesarias para evitar que el soporte para TV se caiga, lo que podría causar lesiones y daños.

Fijación del TV y del soporte para TV



Sony recomienda especialmente tomar medidas para evitar que el televisor se caiga.

Los televisores que no están instalados de manera segura pueden caerse y provocar daños a la propiedad, causar lesiones corporales o incluso la muerte.

Medidas para evitar que se caigan el TV y el soporte para TV

- Instale el TV de modo que quede fijo a la pared o base.
- No permita que los niños jueguen o se cuelguen del mueble o del TV.
- Evite colocar o colgar elementos en el TV.
- No instale nunca el TV en:
 - superficies resbaladizas, inestables o irregulares.
 - muebles que pueden utilizarse fácilmente como escalones, como una cómoda.
- Instale el TV donde no puedan deslizarlo, empujarlo o hacerlo caer.
- Coloque todos los cables de alimentación ca y cables de conexión de modo que no estén al alcance de los niños.

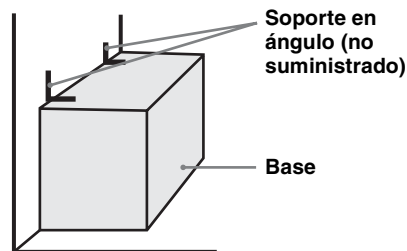
Medidas recomendadas para la instalación del TV y del soporte para TV

Preste atención a las siguientes medidas de seguridad cuando instale un TV en una base (no proporcionada).

1 Fije la base para el TV.

Asegúrese de que la base tolere correctamente el peso del TV. Utilice dos soportes en ángulo (no suministrados) para fijar la base. Para cada soporte en ángulo, utilice el herraje adecuado a fin de:

- sujetar un lado del soporte para ángulo a la pared.
- sujetar el otro lado a la base.

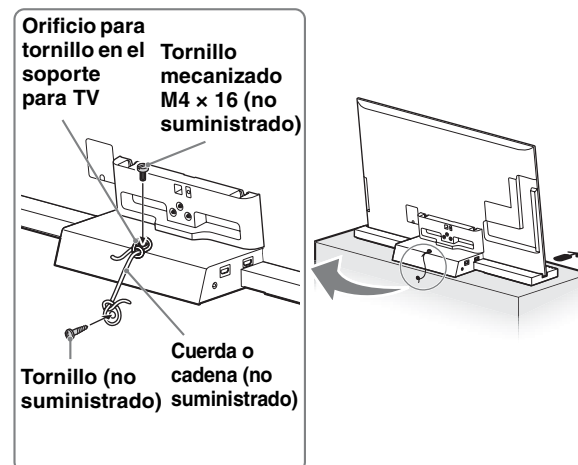


2 Fije el TV a la base.

Utilice los herrajes opcionales que se enumeran a continuación (no suministrado):

- Tornillo mecanizado M4 x 16 (atornillado al soporte para TV)
- Un tornillo o elemento similar (sujetado a la base)
- Cuerda o cadena (lo suficientemente fuerte para tolerar el peso del TV). Asegúrese de que no haya demasiada longitud sobrante de cuerda o cadena.

También puede utilizarse para este fin el Kit de correa de soporte Sony opcional.



Póngase en contacto con nuestro servicio de asistencia al cliente suministrando el nombre del modelo de su soporte para TV (SU-B401S).

- Visite la página de Internet <http://esupport.sony.com/ES/LA>

(continúa)

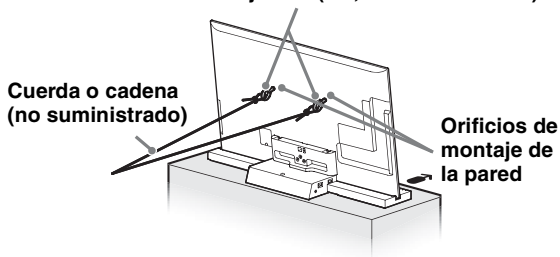
11 (ES)

- ③ Anclaje de TV a la pared.
Sujete el TV a la pared mediante pernos, tornillos de anclaje y cadena (o sogas).

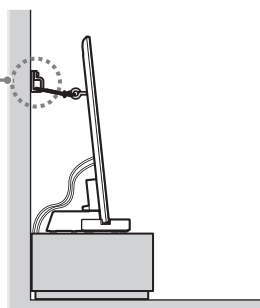


- Fijar el TV a la base sin sujetar el TV ni la base a la pared no es garantía suficiente de que el TV permanezca en su sitio. Para una mayor protección, siga las tres medidas recomendadas anteriormente.

Tornillos de fijación (M6, no suministrado)



Anclaje (no suministrado)

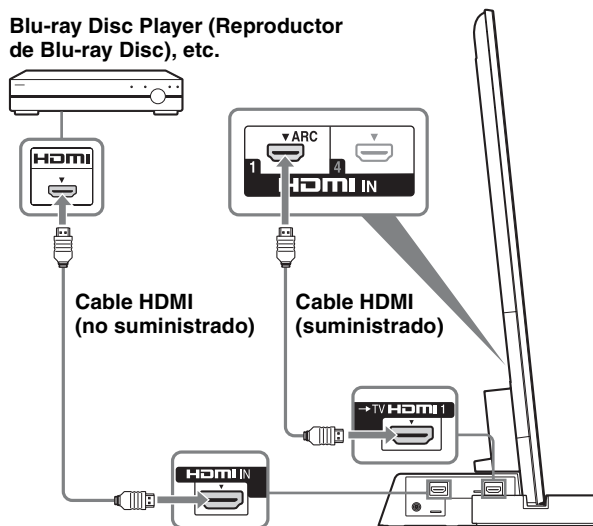


Paso 4: Conexión del televisor y el reproductor

Conecte el televisor con conector HDMI IN 1 al soporte para TV con un cable HDMI (Interfaz multimedia de alta definición).

Al conectar componentes Sony compatibles con “BRAVIA” Sync (Marca comercial registrada) usando cables HDMI, se simplificará el funcionamiento cuando utilice la función “Control para HDMI” en el televisor.

**Blu-ray Disc Player (Reproductor
de Blu-ray Disc), etc.**



- No conecte una PC con HDMI.
- El soporte para TV es compatible con la función de Canal de retorno de audio (ARC). Si conecta el soporte para TV a un conector HDMI IN 1 del televisor compatible con ARC a través de un cable HDMI, no será necesario conectar el televisor al soporte para TV a través de un cable óptico digital.
- Aparecerán las letras “ARC” junto al conector HDMI del televisor si es compatible con la función ARC. Aunque conecte un cable HDMI al conector, si el conector de entrada HDMI no es compatible con la función ARC, no podrá utilizar esta función.
- La función ARC se encuentra disponible sólo cuando la función “Control para HDMI” está activada.



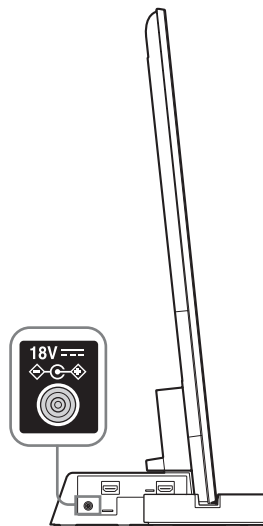
- Incluso si el soporte para TV se encuentra apagado (modo de espera activado), se enviará la señal HDMI desde el componente conectado al televisor a través de la conexión HDMI. Puede disfrutar de la imagen y el sonido del componente en el televisor.

Notas sobre las conexiones HDMI

- Utilice un cable HDMI de alta velocidad. Si utiliza un cable HDMI estándar, es posible que las imágenes en formato 1 080P, Deep Color o 3D (Tridimensional) no se visualicen de forma correcta.
- Recomendamos utilizar un cable HDMI autorizado.
- Revise la configuración del componente conectado si la calidad de la imagen es deficiente o si el componente conectado a través del cable HDMI no emite ningún sonido.
- El componente conectado podría estar suprimiendo las señales de audio (frecuencia de muestreo, longitud de bits, etc.) transmitidas desde un conector HDMI.
- El sonido podría verse interrumpido si se cambia la frecuencia de muestreo o la cantidad de canales de las señales de salida de audio desde el componente de reproducción.
- Cuando el componente conectado no es compatible con la tecnología de protección de contenido digital de ancho de banda alto (HDCP), es posible que la imagen y/o el sonido provenientes del conector HDMI TV OUT (Salida de televisión por interfaz multimedia de alta definición) se distorsionen o no se emitan.
En este caso, revise las especificaciones del componente conectado.
- No recomendamos utilizar un cable de conversión HDMI a DVI (Interfaz visual digital).
- Este sistema es compatible con las transmisiones Deep Color, "x.v.Color" y 3D.

Paso 5: Conexión del cable de alimentación de ca

Conecte todos los componentes y el televisor al soporte para TV antes de conectar el cable de alimentación de ca del adaptador de ca del soporte para TV a un tomacorriente de pared.





- Conecte el soporte para TV a un tomacorriente de ca de fácil acceso. Si nota alguna anomalía en el soporte para TV, desconecte la clavija principal del tomacorriente de ca inmediatamente.

Paso 6: Configuración de los ajustes del televisor

1 Ajústelos en “Sí” en la función “Control para HDMI”.

Pulse el botón HOME (Inicio) del control remoto del televisor y seleccione el menú tal como se indica a continuación:

 Ajustes >  Entradas externas > Ajustes HDMI > Control para HDMI > Sí

2 Ajústelos en “Sistema de audio” en el menú “Bocinas”.

Pulse el botón SYNC MENU del control remoto del televisor y seleccione el menú tal como se indica a continuación:

Bocinas > Sistema de audio

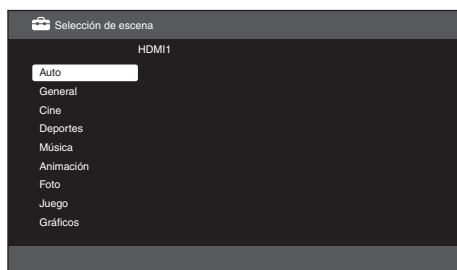


Después de realizar los ajustes de los procedimientos 1 y 2, el indicador **I** (encendido) se ilumina en verde.




• Modo Selección de escena

Este soporte para TV se sincroniza automáticamente con la configuración de audio del televisor y trabaja de forma conjunta con la función Selección de escena, lo que le permite elegir el sonido deseado para la escena seleccionada. Para cambiar el sonido, ajuste la configuración de audio del televisor.



• Contrôle de posición

Si ajusta el “Control d dispositivos ex” en “Sí” en el televisor, este soporte para TV ajusta el balance de volumen entre las bocinas izquierda y derecha de acuerdo con el campo de visión. (Ajustes del televisor)

Para ajustar el “Contrôle de posición”, presione el botón HOME y luego seleccione  > Preferencias > Contrôle de posición > la opción que desee.

Resolución de problemas

Sonido

No hay sonido:

- Verifique la conexión del cable HDMI.
- Compruebe los ajustes de “Control para HDMI” y “Sistema de audio” en el Paso 6 (página 14).

Uso junto con auriculares:

- En el ajuste “Bocinas”, cambie “Sistema de audio” por “Bocinas del televisor”.

Uso junto con equipos externos para doble salida de audio:

- Si no se puede cambiar el sonido, cambie el ajuste de la salida de audio del equipo externo para activar PCM.

Indicador

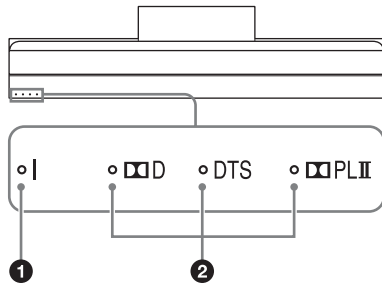
Aunque la alimentación del televisor esté conectada, el indicador **I** (encendido) del soporte para TV no se ilumina:

- Verifique que el cable de alimentación de ca del adaptador de ca esté conectado a la toma de corriente de la pared.
- Consulte al servicio de atención al cliente.

El indicador **I** (encendido) parpadea en rojo:

- Es posible que este producto tenga una falla. Compruebe la cantidad de veces que parpadea el indicador LED (Iluminador) y consulte al centro de servicio técnico de Sony.

Indicador



1 Indicador I (encendido)

Se ilumina de la manera siguiente:

Verde: el soporte para TV está encendido.

(“Sistema de audio” se ha ajustado para “Bocinas”.)

Desactivado: el soporte para TV se encuentra en modo de espera o apagado.

2 Indicadores de formato de audio

Se iluminan en función del formato de audio de la emisión que el soporte para TV recibe.

□D: Dolby Digital

DTS

□PLII: Dolby Pro Logic II

		SU-B401S
Dimensiones: mm (pulgada)	Ⓐ	110 (4 3/8)
	Ⓑ	151 (6)
	Ⓒ	944 (37 1/4)
	Ⓓ	612 (24 1/8)
	Ⓔ	261 (10 3/8)
Peso del soporte: Kg (libras)		4,9 kg (10,8 lb)

Sección del amplificador

Potencia de salida nominal

Frontal: 10 W + 10 W, (por canal)
8 ohms, 1 kHz, THD inferior al 1%
Bocina para sonidos graves: 20 W,
6 ohms, 100 Hz, THD inferior al 1%

Sección HDMI

Conector

Conector HDMI™

Entradas/

720 × 480p (60 Hz) 16:9

salidas de video

1 280 × 720p (60 Hz) 16:9

1 920 × 1 080i (60 Hz) 16:9

1 280 × 720p (50 Hz) 16:9

720 (1 440) × 480i (60 Hz) 4:3

720 (1 440) × 480i (60 Hz) 16:9

720 (1 440) × 576i (50 Hz) 4:3

720 (1 440) × 576i (50 Hz) 16:9

1 920 × 1 080p (60 Hz) 16:9

720 × 576p (50 Hz) 16:9

1 920 × 1 080i (50 Hz) 16:9

1 920 × 1 080p (50 Hz) 16:9

1 920 × 1 080p (24 Hz) 16:9

1 920 × 1 080p (30 Hz) 16:9

1 280 × 720p (24 Hz) 16:9

1 280 × 720p (30 Hz) 16:9

Deep Color: 30 bits/36 bits

1 280 × 720p@59,94/60 Hz

Entradas/

salidas de video (3D)

Empaquetado de trama

1 920 × 1 080i@59,94/60 Hz

Empaquetado de trama

1 920 × 1 080i@59,94/60 Hz

Lado a lado (medio)

1 920 × 1 080p@59,94/60 Hz

Lado a lado (medio)

1 280 × 720p@50 Hz

Empaquetado de trama

1 920 × 1 080i@50 Hz

Empaquetado de trama

1 920 × 1 080i@50 Hz

Lado a lado (medio)

1 920 × 1 080p@50 Hz

Lado a lado (medio)

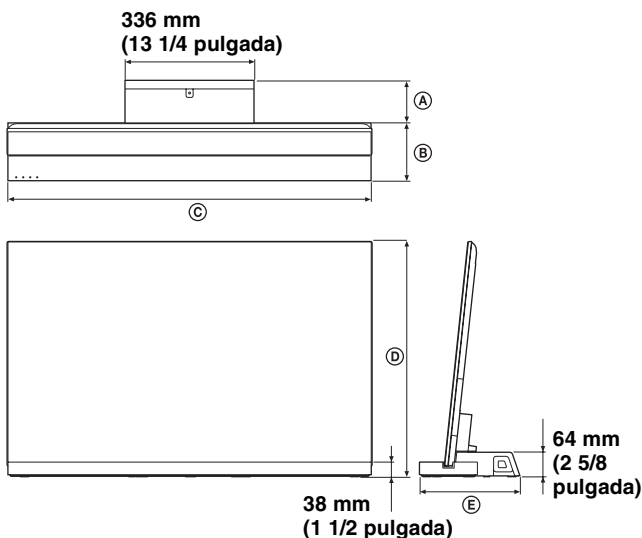
1 920 × 1 080p@24 Hz

Empaquetado de trama

(continúa)

15 (ES)

Especificaciones



Entradas de audio Deep Color: 30 bits/36 bits
PCM (Modulación por Impulsos
Codificados) lineal de 2 canales/5.1
canales/7.1 canales
Dolby Digital
DTS
Todas las señales siguen la norma
32; 44,1; 48 kHz

Bocinas

Unidad de bocina frontal

Sistema de bocina 2 bocinas de 2 vías, tipo reflejo de
 graves
Unidad de bocina Bocina para sonidos graves:
 30 × 100 mm tipo cónico ×1
 Bocina para sonidos agudos:
 30 mm tipo cónico

Unidad de bocina para sonidos graves

Sistema de bocina Bocina para sonidos graves, tipo
 reflejo de graves
Unidad de bocina 70 mm tipo cónico

General

Tensión de alimentación: cc 18 V

Consumo de Potencia ó Corriente.

En modo encendido: 12 W

En modo de espera: 0.7 W

Datos de alimentación del adaptador

Entrada: ca 100-240 V 50/60 Hz 60 W

Salida: cc 18 V 2.6 A

- Consumo de energía en espera: 0,7 W
- Ciertas placas del circuito impreso no contienen retardantes de llama halogenados.
- Se alcanza más de un 85% de eficiencia energética en la sección del amplificador con el amplificador totalmente digital S-Master.

El diseño y las especificaciones están sujetos a cambios sin previo aviso.

Registro do proprietário

O modelo e número de série estão localizados na parte traseira do suporte de televisor. Anote esses números nos espaços abaixo.

Utilize-os quando ligar para o seu revendedor Sony para obter informações sobre o suporte de televisor.

Nome do modelo

Número de série

Sobre segurança

Obrigado por comprar este produto.

Os produtos da Sony são projetados tendo em mente a segurança. O uso incorreto pode resultar em lesões graves decorrentes de incêndios, choques elétricos ou queda do produto. Certifique-se de observar as precauções de segurança para prevenir esses acidentes.

Este manual de instruções mostra o correto manuseio do produto e precauções importantes necessárias para prevenir acidentes. Certifique-se de ler todo o manual e usar o produto corretamente. Mantenha esse manual disponível para referências futuras.

CUIDADO

Produtos especificados

Este suporte está projetado para o uso com os produtos Sony especificados abaixo. Não instale em produtos não especificados.

Os seguintes produtos estão sujeitos a alterações sem aviso, podem estar fora de estoque ou deixar de ser fabricados. Além disso, alguns modelos são vendidos em apenas algumas regiões.

	TV a cores LCD
SU-B401S	KDL-40NX72x

* Nos nomes reais de modelos, o "x" indica números e/ou caracteres específicos de cada modelo.

Localização da etiqueta de identificação

A etiqueta com o número do modelo está localizada na parte traseira do suporte de televisor.

NOTA SOBRE o adaptador CA

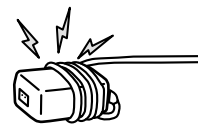
Aviso

Para reduzir o risco de incêndio ou choque elétrico, não exponha este aparelho à chuva ou humidade.

Para prevenir incêndio ou risco de choque, não coloque sobre o aparelho objetos cheios de líquido, como vasos.

Não instale este equipamento em um espaço restrito como uma estante de livros ou unidades semelhantes.

- Verifique se a tomada de energia CA está instalada perto do equipamento e que seja de fácil acesso.
- Garanta o uso de cabos de alimentação e adaptador CA fornecidos.
- Não use nenhum outro adaptador CA. Seu uso pode causar mau funcionamento.
- Conecte o adaptador CA a uma tomada de energia CA de fácil acesso.
- Não enrole o cabo de alimentação CA no adaptador CA. O fio principal pode cortar e/ou causar mau funcionamento da TV.
- Não toque no adaptador CA com as mãos molhadas.
- Se você perceber uma anormalidade no adaptador CA, desconecte-o imediatamente da tomada de energia CA.
- O equipamento não está desconectado da fonte CA enquanto ele estiver conectado na tomada de energia CA, mesmo se estiver desligado.



AVISO

Se as seguintes precauções não forem observadas, podem ocorrer sérias lesões ou morte decorrente de incêndios, choques elétricos ou queda do produto.

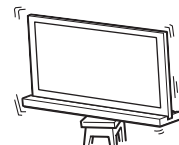
Certifique-se de tomar medidas para evitar que o suporte de televisor vire.

Se isso não for feito, a TV pode virar e causar lesões.

Fixe o suporte de televisor e a prateleira etc., para evitar que ele vire.

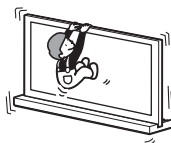
Certifique-se de instalar o suporte de televisor em uma superfície estável.

Se você instalar o suporte de televisor em uma superfície pouco estável, ele pode perder o equilíbrio e virar ou cair. Isso pode causar lesões ou danos materiais.



Não incline a TV ou apoie-se nela quando ela estiver instalada no suporte de televisor.

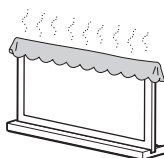
O suporte de televisor pode virar ou a TV pode cair e causar sérias lesões ou morte.



Não cubra os orifícios de ventilação da TV.

A aberturas de ventilação da TV são necessárias para assegurar que o seu funcionamento seja confiável e protegê-la do superaquecimento.

- Não bloqueie ou cubra as aberturas de ventilação com tecidos ou outros materiais.
- Nunca deixe que líquidos ou objetos sólidos entrem nas aberturas de ventilação.



Não coloque objetos com líquidos, como copos ou vasos de plantas, na TV.

Não use um aparelho de TV operado por linha elétrica perto da água; por exemplo, perto de uma banheira, pia, pia de cozinha, lavadora, porões úmidos ou perto de uma piscina etc.

Não instale a TV em lugares sujeitos a temperaturas extremas, tais como a luz solar direta, proximidades de radiadores e de dispositivos de aquecimento.

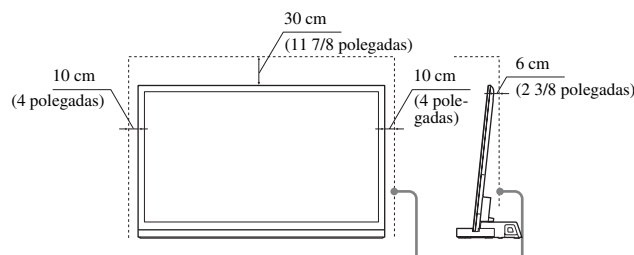
A TV pode superaquecer em tais condições, o que pode causar a deformação da carcaça e/ou mau funcionamento.

Não instale a TV em locais expostos diretamente ao ar condicionado.

A umidade pode se condensar no interior e causar mau funcionamento.

Deixe o espaço adequado ao redor da TV para que o ar possa circular.

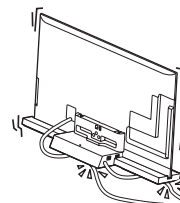
Deixe o espaço suficiente ao redor da TV conforme demonstrado abaixo.



Deixe pelo menos este espaço ao redor do aparelho.

Cabo de alimentação CA

- Não permita que o cabo de alimentação CA ou o cabo de conexão seja apertado ao instalar a TV no suporte. Se o cabo de alimentação CA ou cabo de conexão estiver danificado, isso pode causar incêndios ou choques elétricos.
- Não pise sobre o cabo de alimentação CA ou cabo de conexão quando carregar o suporte de televisor. O cabo de alimentação CA ou cabo de conexão pode estar danificado, isso pode causar incêndios ou choques elétricos.
- Se você tropeçar sobre o cabo de alimentação CA ou cabo de conexão, o suporte da TV pode virar e causar lesões.
- A desconexão do cabo de alimentação CA da tomada da parede removerá completamente a energia do suporte de televisor.



CUIDADO

Se as seguintes precauções não forem observadas, podem ocorrer lesões ou danos materiais.

Não instale nenhum equipamento além de produtos especificados.

Este suporte de televisor foi projetado apenas para o uso com o produto especificado. Se você instalar equipamentos que não sejam os especificados, ele pode cair ou quebrar, causando lesões. As ilustrações usadas neste manual mostram o KDL-40NX72x, exceto quando indicado.

Certifique-se de fixar a TV.

Fixe a TV ao suporte de televisor usando os parafusos fornecidos. Se a TV não for instalada com segurança, ela pode cair, ou o suporte de televisor pode virar, causando lesões.

(Continua)

3 (PT)

Notas sobre a instalação

Não permita que o suporte de televisor seja instalado em um ângulo ou inclinado. Para evitá-lo, observe as seguintes precauções.

- Se instalar o suporte de televisor em uma superfície macia, como um tapete ou carpete, coloque antes uma tábua no local.
- Não instale o suporte de televisor em um local sujeito à luz solar direta ou perto de um aquecedor.
- Não instale o suporte de televisor em um local quente ou úmido, ou ao ar livre.

Nota sobre o uso

Limpeza

Para manter o suporte de televisão limpo, passe ocasionalmente um pano seco sobre ele. Manchas persistentes podem ser removidas, passando um pano levemente umedecido com sabão suave. Certifique-se de secar a área com um pano seco e macio. Não use produtos químicos, como tiner ou benzina, uma vez que eles danificam o acabamento do suporte de televisor.

Certifique-se de que pelo menos duas pessoas realizem o trabalho de instalação.

Certifique-se de que pelo menos duas pessoas instalem a TV no suporte de televisor. Se uma pessoa realizar a instalação sozinha, isso pode resultar em acidente ou lesões.

Não modifique o suporte de televisor.

Ele pode cair e causar lesões.

Certifique-se de instalar a TV de forma segura, seguindo as instruções.

Aperte os parafusos de forma segura. Se a TV não for instalada de forma segura, ela pode cair e causar lesões.

Cuidado para não machucar suas mãos ou dedos durante a montagem.

- Não mova o suporte de televisor segurando pela parte do Pescoço.
- Cuidado para não machucar seus dedos ou mãos ao instalar a TV.

PRECAUÇÕES

Sobre as fontes de energia

- Se você não for usar o suporte de televisor por um longo período de tempo, desconecte-o da tomada da parede. Para desconectar o cabo de alimentação CA, segure-o pelo próprio plugue; nunca puxe pelo cabo.
- O cabo de alimentação CA só deve ser substituído em uma loja de serviços qualificada.

Sobre a operação

Antes de conectar outros componentes, certifique-se de desligar e desconectar o suporte de televisor da tomada.

Direitos autorais

Este suporte de televisor incorpora Dolby* Digital e Pro Logic Surround e o DTS** Digital Surround System.

* Fabricado sob licença da Dolby Laboratories. Dolby, Pro Logic e o símbolo de D duplo são marcas comerciais da Dolby Laboratories.

** Fabricado sob licença sob os números de patente dos EUA: 5.451.942; 5.956.674; 5.974.380; 5.978.762; 6.487.535 e outras patentes dos EUA e todo o mundo, emitidas ou pendentes. DTS e o Símbolo são marcas comerciais registradas e DTS Digital Surround e os logos DTS são marcas comerciais da DTS, Inc. O produto inclui software. © DTS, Inc. Todos os direitos reservados.

Este suporte de televisor incorpora a tecnologia de interface de multimídia de alta definição (High-Definition Multimedia Interface, HDMI™).

HDMI, o logotipo da HDMI, e High-Definition Multimedia Interface são marcas comerciais ou marcas comerciais registradas da HDMI Licensing LLC nos Estados Unidos e outros países.

“BRAVIA” é uma marca registrada da Sony Corporation.

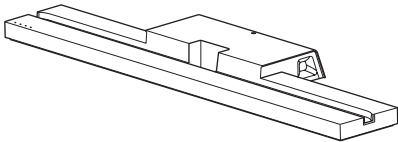
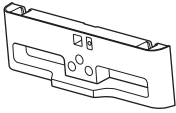
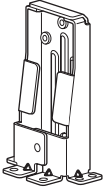
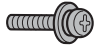



Nota sobre a retirada do suporte de televisor da caixa

Certifique-se de segurar e manusear o suporte de televisor com cuidado.

Consulte as instruções de operação fornecidas com sua TV para informações sobre como remover o pedestal da TV.

Passo 1: Verificando as peças

Nome	Quantida
Suporte 	1
Junta 	1
Base vertical 	1
Parafuso de fixação da Base vertical do suporte de televisor (PSW5 × 16) (× 3) Parafuso da junta (PSW5 × 16) (× 3) 	6
Parafuso da Base vertical (PSW4 × 12) 	4
Adaptador CA (ACDP-001)	1
Cabo de alimentação CA	
Cabo HDMI de alta velocidade	1
Manual de instruções	1
Cartão de garantia	

AVISO

Se você permitir que o cabo de alimentação CA seja apertado sob ou entre partes do equipamento, isso pode resultar em um curto-circuito ou choque elétrico. Se você tropeçar sobre o cabo de alimentação CA ou cabo de conexão, o suporte da TV pode virar e causar lesões.

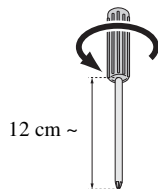
Decida o local de instalação e coloque o suporte de televisor antes de instalar a TV.

Como a TV é pesada, é recomendado que você decida o lugar de instalação previamente e monte o suporte de televisor no local.

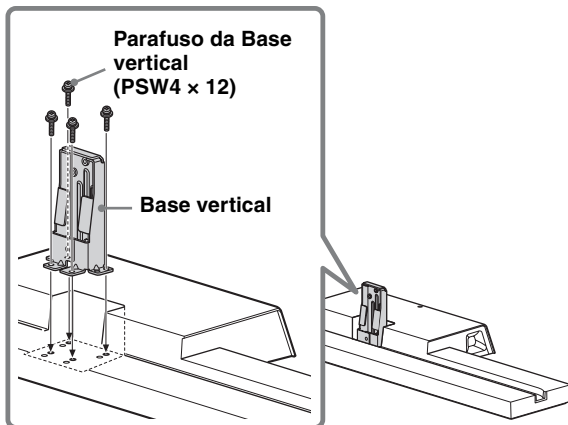
Passo 2: Instalando a TV

Antes de montar

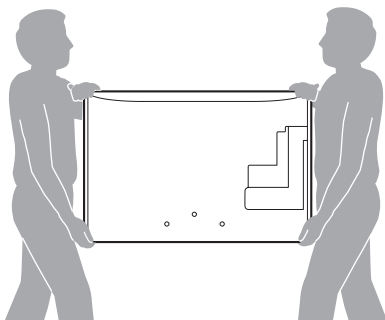
- Certifique-se de ter uma chave de fenda Phillips que se adapte aos parafusos antes de montar.
- Ao usar uma chave de fenda elétrica, defina o torque em aproximadamente 1,5 N·m {15 kgf·cm}.



1 Prenda a Base vertical no suporte de televisor com quatro parafusos (PSW4 × 12) (fornecidos).

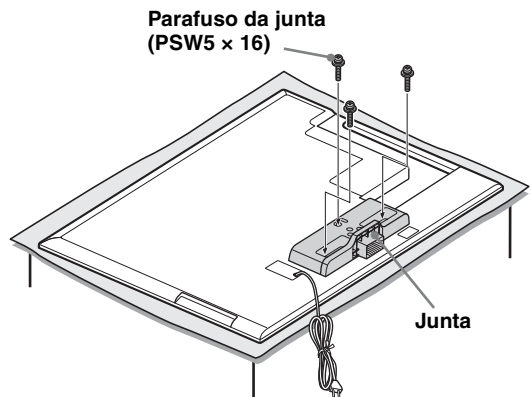


2 Ao mover a TV, segure-a como exibido abaixo.



3 Fixe a junta fornecida na parte traseira da TV com três parafusos (PSW5 × 16) (fornecidos).

Deslize a junta para cima para fixar.



- Certifique-se de guardar os parafusos removidos.
- Para remover o pedestal do monitor, deite o monitor com a face para baixo em uma superfície de trabalho estável que seja maior do que ele.
- Para evitar danificar a superfície do monitor LCD, coloque um pano macio sobre a superfície de trabalho.

CUIDADO

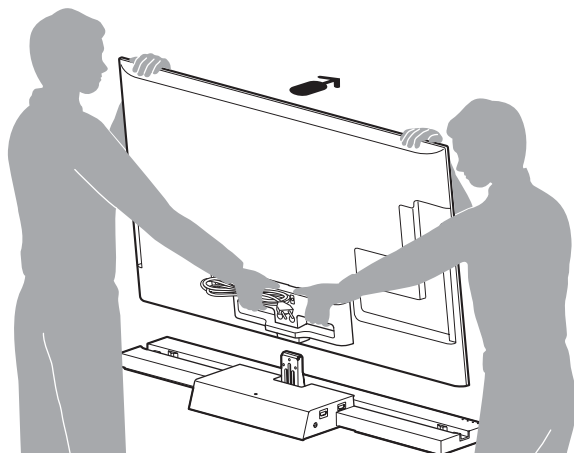
- A tela LCD pode quebrar ou ser danificada, se for aplicada pressão ou choque à superfície do monitor.
 - Coloque o monitor com a face para baixo em uma superfície estável e plana com o pedestal pendendo para fora da superfície.
- A colocação da face do monitor e da base do pedestal em superfícies do mesmo nível criará condições de trabalho pouco estáveis e poderá danificar o monitor.

(Continua)

7 (PT)

4 Instale a TV no suporte de televisor.

A TV é instalada, colocando-a no encaixe do suporte de televisor.



← A direção da seta mostra a frente do suporte de televisor.

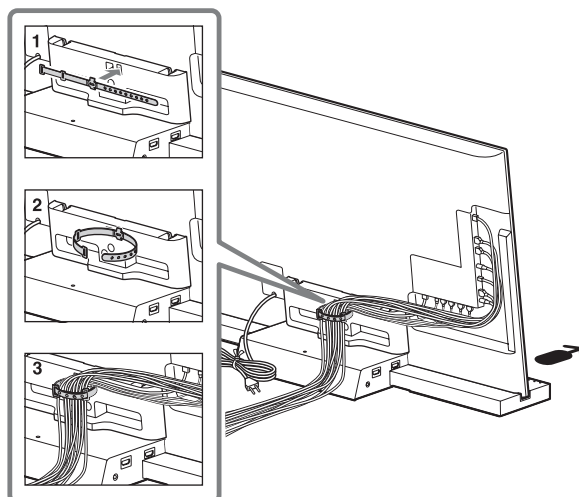
5 Fixe a TV e o suporte de televisor com os 3 parafusos de fixação da Base vertical do suporte de televisor (PSW5 x 16) (fornecidos).



Parafuso de fixação do pescoço do suporte de televisor (PSW5 x 16)

6 Agrupando os cabos.

Use o prendedor de cabo fornecido com a TV.



- Não agrupe o cabo de alimentação CA junto com os demais cabos.

Passo 3: Medidas de segurança para prevenir a queda

AVISO

Certifique-se de tomar medidas para evitar que o suporte de televisor vire e cause possíveis lesões ou danos.

Instalando a TV e o suporte de televisor de forma segura



A Sony recomenda que sejam tomadas medidas de segurança para evitar que a TV caia.

As TVs que não estão instaladas de forma segura podem cair e provocar danos materiais, ferimentos graves ou até mesmo a morte.

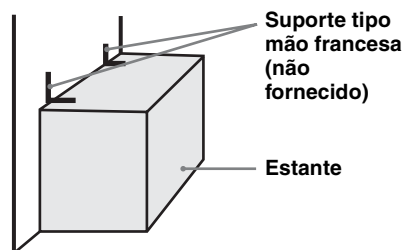
Para evitar a queda da TV e o suporte de televisor

- Prenda a TV de forma segura na parede e/ou em uma estante.
- Não permita que crianças brinquem ou subam nos móveis e nos aparelhos de TV.
- Evite colocar ou pendurar objetos na TV.
- Nunca instale a TV em:
 - superfícies escorregadias, instáveis e/ou irregulares.
 - móveis que possam ser escalados, como armários com gavetas.
- Instale a TV onde ela não possa ser puxada, empurrada ou derrubada.
- Cuide para que os cabos de alimentação CA e os cabos de conexão não estejam ao alcance de crianças.

Medidas recomendadas para a instalação segura da TV e o suporte de televisor

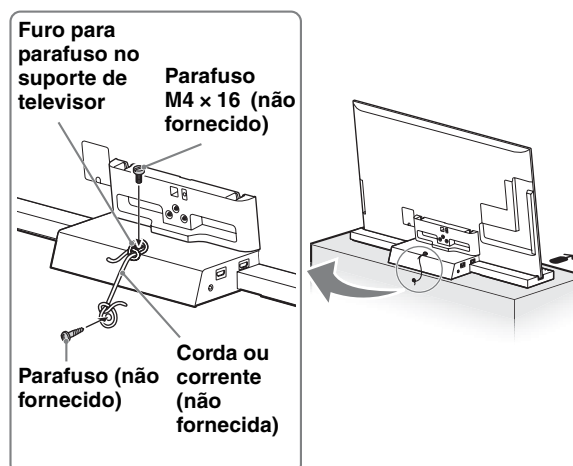
Considere as seguintes medidas quando instalar a sua TV em uma estante (não fornecida).

- 1 Fixe a estante onde a TV será instalada.
Certifique-se de que a estante seja adequada para suportar o peso da TV. Utilize dois suportes tipo mão francesa (não fornecidos) para fixar a estante. Para cada suporte utilize parafusos apropriados para:
 - fixar um lado do suporte na parede.
 - fixar o outro lado na estante.



- 2 Fixe a TV na estante.
Utilize os itens listados a seguir (não fornecidos):
 - Um parafuso M4 x 16 (parafusado no suporte de televisor)
 - Um parafuso ou outro fixador similar (para fixá-lo na estante)
 - Corda ou corrente (forte o suficiente para suportar o peso da TV). Certifique-se de que não haja folga excessiva na corda ou na corrente.

Outra medida é prender a TV com um kit de cinto de segurança Sony (não fornecido).



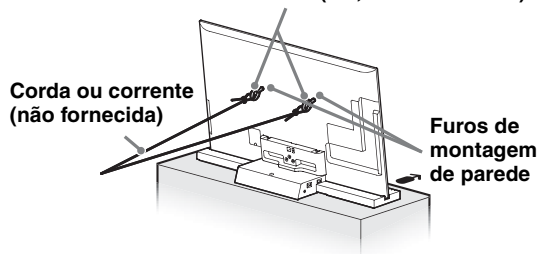
(Continua)

- 3 Prenda a TV na parede.
Prenda a TV na parede utilizando os parafusos, prendedor de parede e corrente (ou corda).

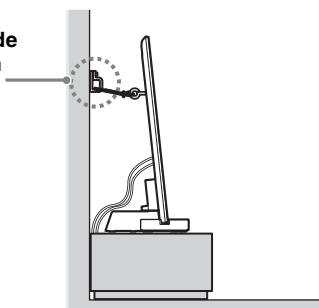


- Fixar a TV na estante sem fixar a TV e a estante na parede proporcionará uma proteção mínima contra a queda da TV. Para uma proteção maior, certifique-se de seguir as três medidas recomendadas.

Parafusos com olhal (M6, não fornecidos)



Prendedor de parede com olhal (não fornecido)

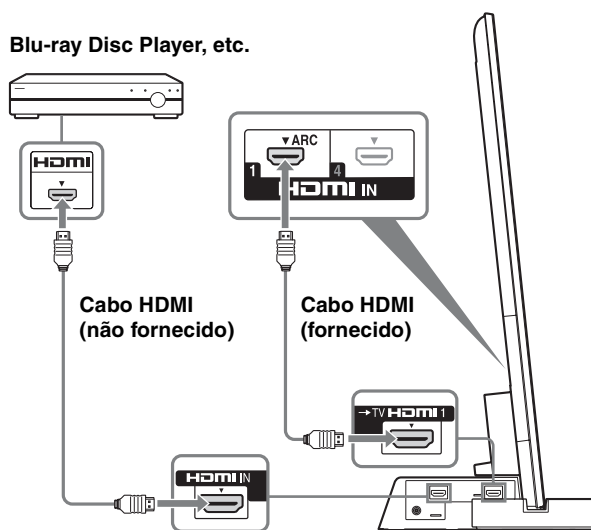


Passo 4: Conectando a TV e o DVD Player, etc.

Conecte a TV com um HDMI IN 1 ao suporte de televisor, usando um cabo HDMI.

Ao conectar componentes compatíveis com o sincronizador Sony “BRAVIA” usando cabos HDMI, a operação pode ser simplificada quando você configurar a função Control for HDMI (Controle para HDMI) para a TV.

Blu-ray Disc Player, etc.



- Não conecte PC com HDMI.
- O suporte de televisor é compatível com a função Audio Return Channel (ARC, canal de retorno de áudio). Se você conectar o suporte de televisor ao HDMI IN 1 da TV através de um cabo HDMI, não precisará conectar a TV ao suporte de televisor com o cabo óptico digital.
- Você pode ver as letras “ARC” ao lado da tomada HDMI da TV, se ela for compatível com a função ARC. Ainda que você conecte um cabo HDMI à tomada, se a tomada de entrada HDMI não for compatível com a função ARC, você não poderá usar esta função.
- A função ARC está disponível apenas quando o controle para HDMI está definido em ligado.



- Ainda que o suporte de televisor esteja desligado (modo standby ativo), o sinal HDMI será enviado do componente conectado da TV através da conexão HDMI. Você pode desfrutar de imagem e som do componente na TV.

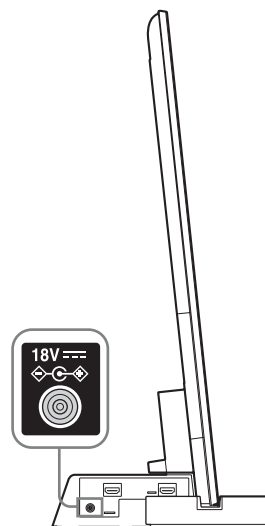
Nota sobre conexões HDMI

- Use um cabo HDMI de alta velocidade. Se você usar um cabo HDMI padrão, imagens 1080p, Deep Color, ou em 3D podem não ser adequadamente exibidas.
- Recomendamos que você use um cabo autorizado pela HDMI.

- Verifique a configuração do componente conectado se uma imagem é de má qualidade ou o som não provém de um componente conectado através do cabo HDMI.
- Sinais de áudio (frequência de amostra, comprimento de bit etc.) transmitidos de uma tomada HDMI podem ser anulados pelo componente conectado.
- O som pode ser interrompido quando a frequência de amostra ou o número de canais de sinais de saída de áudio do componente de playback estiver ligado.
- Se o componente conectado não for compatível com a tecnologia de proteção de direitos autorais (HDCP), a imagem e/ou o som da tomada SAÍDA da TV HDMI poderá ser distorcida ou não aparecer. Neste caso, verifique a especificação do componente conectado.
- Não recomendamos usar um cabo de conversão HDMI-DVI.
- Este sistema é compatível com Deep Color, “x.v.Color”, e transmissão em 3D.

Passo 5: Conectando o cabo de alimentação CA

Conecte todos os componentes e TV ao suporte de televisor antes de conectar o cabo de alimentação CA do adaptador CA do suporte de televisor à tomada da parede.





- Conecte o suporte de televisor a uma saída de CA de fácil acesso. Se notar alguma anomalia no suporte de televisor, desconecte o plugue principal da saída de CA imediatamente.

Passo 6: Executando os ajustes da TV

❶ Defina para “Sim” na função “Controle para HDMI”.

Pressione o botão HOME no controle remoto da TV e selecione o menu a seguir;

 Ajustes >  Entradas Externas > Ajustes HDMI > Controle para HDMI > Sim

❷ Defina para “Sistema de Áudio” no menu “Alto-falantes”.

Pressione o botão SYNC MENU no controle remoto da TV e selecione o menu a seguir;
Alto-falantes > Sistema de Áudio



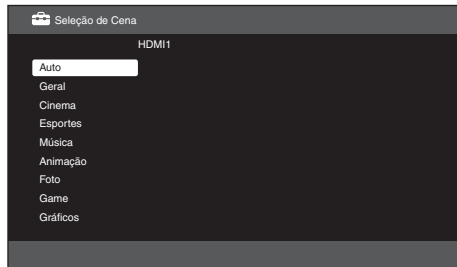
Após concluir os ajustes para o procedimento ❶ e ❷, a luz verde do indicador **I** (power) acende.



• Modo Seleção de Cena


Este suporte de televisor está sincronizado automaticamente com as configurações de som da TV, e trabalha junto com a função de Seleção de cena, para que você escolha o seu som preferido para a cena escolhida.

Para alterar o som, altere as configurações de som da TV.



• Controle de Posição

Se você definir o “Controle Dispositivo Ext.” da TV para “Sim”, este suporte de televisor ajusta o balanço de volume entre os alto-falantes direito e esquerdo, de acordo com a posição de visualização. (Definição da TV)

Para definir o “Controle de Posição”, pressione o botão HOME, em seguida selecione  > Preferências > Controle de Posição > a opção desejada.

Solução de problemas

Som

Sem som:

- Verifique a conexão do cabo HDMI.
- Verifique os ajustes referentes ao “Controle para HDMI” e “Sistema de Áudio” no Passo 6 (página 12).

Uso com fones de ouvido:

- Mude o “Sistema de Áudio” para “Alto-falantes da TV” no ajuste “Alto-falantes”.

Uso com equipamento externo de som dual:

- Se não for possível ligar o som, mude a configuração de saída de áudio do equipamento externo para ativar a PCM.

Indicador

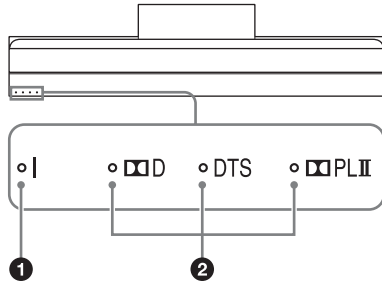
Embora a alimentação da TV esteja ligada, o indicador **I** (power) do suporte de televisor não acende:

- Verificar se o cabo de alimentação CA do adaptador CA está conectado na tomada da parede.
- Consulte o serviço de suporte ao cliente.

Indicador **I** (power) vermelho pisca:

- Pode ter ocorrido um mau funcionamento neste produto. Verifique quantas vezes o LED pisca e consulte o centro de serviço da Sony.

Indicador



1 Indicador I (power)

Acende como a seguir:

Verde: O suporte de televisão está ligado. (O “Sistema de Áudio” está definido em “Alto-falantes”.)

Não: O suporte de televisão está em standby ou desligado.

2 Indicadores do formato de áudio

A luz acende de acordo com o formato de entrada de áudio no suporte de televisão.

□D: Dolby Digital

DTS

□PLII: Dolby Pro Logic II

		SU-B401S
Dimensões: mm (polegadas)	Ⓐ	110 (4 3/8)
	Ⓑ	151 (6)
	Ⓒ	944 (37 1/4)
	Ⓓ	612 (24 1/8)
	Ⓔ	261 (10 3/8)
Peso do suporte:		4,9 kg (10,8 lb)

Seção amplificador

Potência nominal Dianteira: 10 W + 10 W, (por canal)
8 ohms, 1 kHz, THD inferior a 1%
Subwoofer: 20 W, 6 ohms, 100 Hz,
THD inferior a 1%

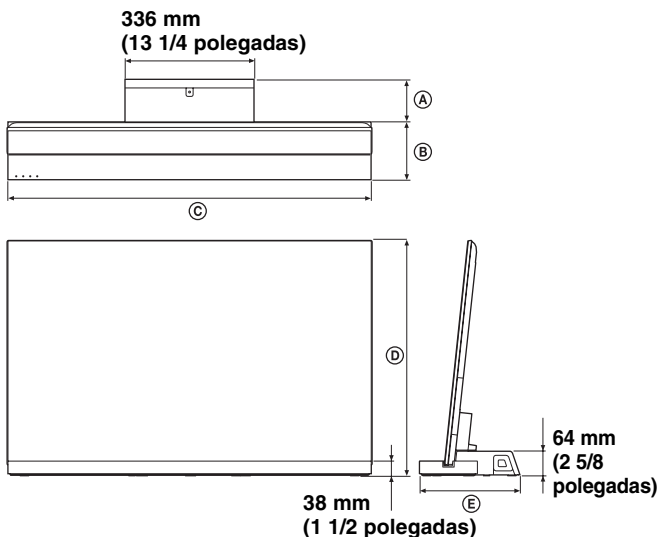
Seção HDMI

Conector HDMI™ Connector

Entradas/saídas de vídeo

720 × 480p (60 Hz) 16:9
1280 × 720p (60 Hz) 16:9
1920 × 1080i (60 Hz) 16:9
1280 × 720p (50 Hz) 16:9
720 (1440) × 480i (60 Hz) 4:3
720 (1440) × 480i (60 Hz) 16:9
720 (1440) × 576i (50 Hz) 4:3
720 (1440) × 576i (50 Hz) 16:9
1920 × 1080p (60 Hz) 16:9
720 × 576p (50 Hz) 16:9
1920 × 1080i (50 Hz) 16:9
1920 × 1080p (50 Hz) 16:9
1920 × 1080p (24 Hz) 16:9
1920 × 1080p (30 Hz) 16:9
1280 × 720p (24 Hz) 16:9
1280 × 720p (30 Hz) 16:9
Deep Color: 30 bit/36 bit

Especificações



(Continua)

13 (PT)

Entradas/ saídas de vídeo (3D) 1280 × 720p@59,94/60 Hz
 Empacotamento de frames 1920 × 1080i@59,94/60 Hz
 Empacotamento de frames 1920 × 1080i@59,94/60 Hz
 Lado a lado (Metade) 1920 × 1080p@59,94/60 Hz
 Lado a lado (Metade) 1280 × 720p@50 Hz
 Empacotamento de frames 1920 × 1080i@50 Hz
 Empacotamento de frames 1920 × 1080i@50 Hz
 Lado a lado (Metade) 1920 × 1080p@50 Hz
 Lado a lado (Metade) 1920 × 1080p@24 Hz
 Empacotamento de frames Deep Color: 30 bit/36 bit

Entradas de áudio Linear PCM 2 ch/5.1 ch/7.1 ch
 Dolby Digital
 DTS
 Cada sinal é compatível com 32, 44,1, 48 kHz.

Alto-falantes

Unidade de alto-falante frontal

Sistema de alto-falantes Caixa acústica tipo refletor de graves, 2-way 2 drivers

Unidade de alto-falante
 Woofer: Tipo cone 30 × 100 mm × 1
 Tweeter: Tipo cone 30 mm

Unidade de subwoofer

Sistema de alto-falantes Subwoofer, tipo refletor de graves

Unidade de alto-falante tipo cone 70 mm

Geral

Requisitos de potência 100 – 240 V, 50/60 Hz

Consumo de energia
 Ligado: 12 W
 Standby: 0,7 W

- Consumo de energia em standby: 0,7 W
- Retardadores de chama halogenados não são usados em certas placas de instalação elétrica impressas.
- Mais de 85% de eficiência energética de bloco amplificador são alcançados com o amplificador totalmente digital S-Master.

Projeto e especificações estão sujeitos a mudanças sem aviso.

ADVERTÊNCIA

- Evite o uso prolongado do aparelho com volume alto (potência superior a 85 decibéis), pois isto poderá prejudicar a sua audição (Lei Federal No 11.291/06).

Recomendações Importantes Sobre o Nível de Volume

Caro(a) consumidor(a)

Maximize o prazer de ouvir a música com este aparelho lendo estas recomendações que ensinam você a tirar o máximo proveito do aparelho quando reproduzir um som a um nível seguro. Um nível que permite que o som seja alto e claro, sem distorção e sem causar desconforto e, o mais importante, de uma forma que proteja a sua sensibilidade auditiva.

Para estabelecer um nível seguro:

- Ajuste o controle de volume a um nível baixo.
- Aumente lentamente o som até poder ouvi-lo confortavelmente e claramente, sem distorções.

Uma vez estabelecido um nível de som confortável:

- Ajuste o controle de volume e deixe-o nesta posição. O minuto gasto para fazer este ajuste agora protegerá a sua audição no futuro. Afinal de contas, nós queremos que você ouça durante toda a vida.

Usando sabiamente, o seu novo equipamento de som proporcionará a você uma vida toda de entretenimento e prazer. A Sony recomenda que você evite a exposição prolongada a ruídos muito altos.

A seguir, incluímos uma tabela com os níveis de intensidade sonora em decibéis e os exemplos de situações correspondentes para a sua referência.

Nível de Decibéis	Exemplos
30	Biblioteca silenciosa, sussurros leves
40	Sala de estar, refrigerador, quarto longe do trânsito
50	Trânsito leve, conversação normal, escritório silencioso
60	Ar condicionado a uma distância de 6 m, máquina de costura
70	Aspirador de pó, secador de cabelos, restaurante ruidoso
80	Tráfego médio de cidade, coletor de lixo, alarme de despertador a uma distância de 60 cm
OS RÚIDOS ABAIXO PODEM SER PERIGOSOS EM CASO DE EXPOSIÇÃO CONSTANTE	
90	Metrô, motocicleta, tráfego de caminhão, cortador de grama
100	Caminhão de lixo, serra elétrica, furadeira pneumática
120	Show de banda de rock em frente às caixas acústicas, trovão
140	Tiro de arma de fogo, avião a jato
180	Lançamento de foguete

Informação cedida pela Deafness Research Foundation, por cortesia.



<http://www.sony.net/>

Printed in Malaysia